



Tiger Power PRO Hoist Model No. ETCB

go digital!

Main Features

- Cordless battery powered
- Available in 3t, 6t & 10t capacities
- High speed helical gear box
- Load limiter

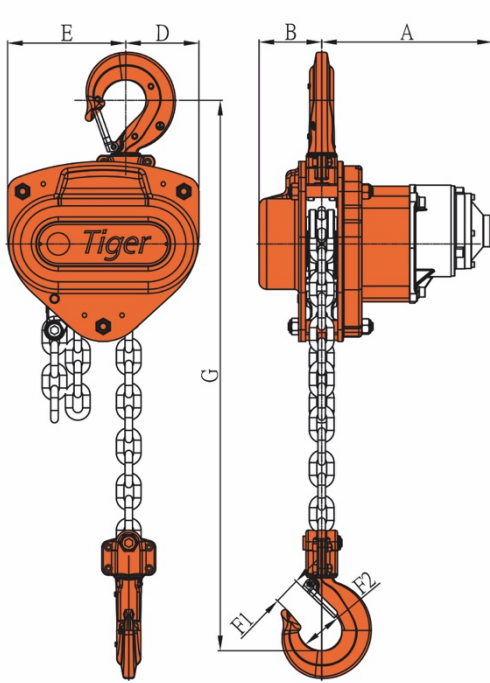
The Tiger Power PRO hoist with load limiter – ETCB, is available in 3.0 tonne, 6.0 tonne and 10.0 capacities. The hoist is fitted with a slipping clutch overload mechanism, so it is protected from overload. It is cordless battery powered and suggested to use a drill of maximum 2500 rpm to operate the unit.

RiConnect

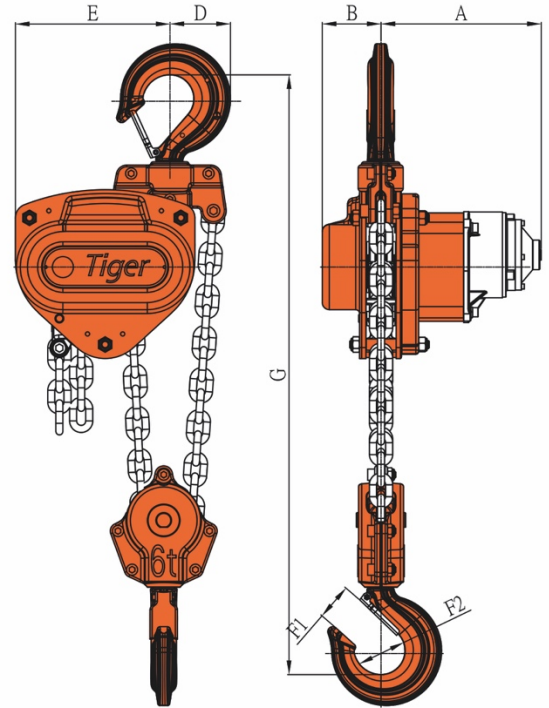


Technical Data

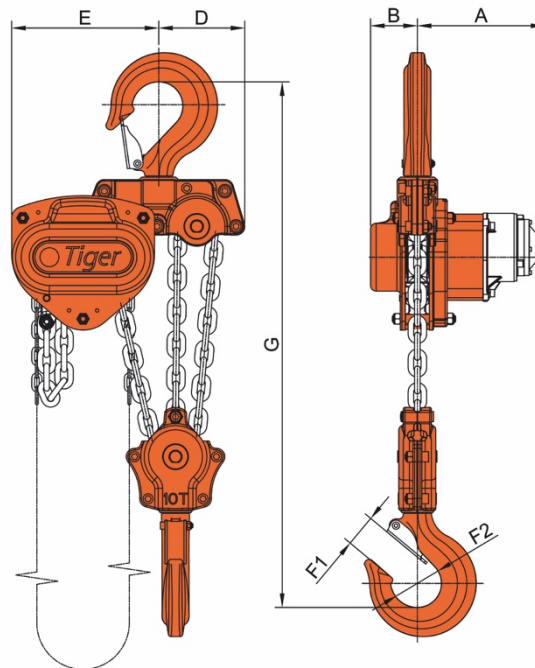
Product Code	Rated load (kg)	Lifting chain specifications (mm)	Dimensions (mm)							No. chain falls	Motor speed (MAX) (r/min)	Lifting speed (m/min)	Brushless drill driver (N.m) V	Net weight (kg)	Packing weight (kg)	Packing size (cm)	Weight for each additional meter of chain (kg/cm)
			A	B	D	E	F1	F2	G								
ETCB-0300	3000	10 x 30	228	84	98	157	36	56	500	1	2600	0.718	68 18V or above	29.6	31.3	38 x 34.5 x 29	2.2
ETCB-0600	6000	10 x 30	228	84	86	220	49	70	635	2	2600	0.359	68 18V or above	44.0	46.4	50 x 37 x 33	4.4
ETCB-1000	10000	10 x 30	228	84	153	263	54	87	660	3	2600	0.239	90 18V or above	56.9	60.8	50 x 43.5 x 41	6.5



3.0t



6.0t



10.0t

Due to our policy of continual product development, dimensions, weights and specifications may change without prior notice. Please check with your Tiger sales team when ordering.

Bespoke designs available on request – contact info@tigerlifting.com for more information.