

Forged Anchor Shackle Model No. 8-838

Main Features

- Shackles are Type Approved by DNV
- Forged carbon steel with alloy pin
- Size and Working Load Limit permanently shown on each shackle
- Batch Code shown on each shackle which links to Test Certificate and quality traceability
- 100 % magnaflux crack detection during manufacturing
- 20,000 cycle fatigue rated to 1.5 times Working Load Limit
- Minimum Ultimate Load is 6 times the Working Load Limit
- Maximum Proof Load is 2 times the Working Load Limit
- Available with Supra digital chip – powered by RiConnect



Certification:

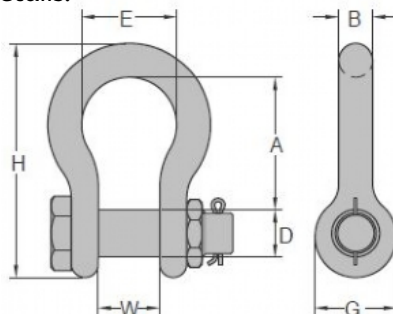
Each unit comes fully certified with a test certificate or an EC Declaration of Conformity stating compliance with the essential health and safety requirements of the Machinery Directive 2006/42/EC, the Supply of Machinery (Safety) Regulations 2008 and Section 6 of the Health and Safety at Work Etc Act 1974.

Manufactured and tested in accordance with EN1677-1. All YOKE Lifting points meet or exceed all the requirements of ASME B30.26.

Technical Data

Product Code	Nominal Size	Capacity (tonnes)	Dimensions (mm)							Net Weight (kg)
			A	B	D	E	G	H	W	
8-838-08	8	0.75	31	8	9.5	21	19	54	12	0.1
8-838-10	10	1	36	10	11	26	23	65	16	0.1
8-838-11	11	1.5	43	11	13	30	27	75	19	0.2
8-838-13	13	2	47	13	16	33	30	85	20	0.4
8-838-16	16	3.25	61	16	19	43	38	106	27	0.7
8-838-19	19	4.75	72	19	22	50	46	126	33	1.0
8-838-22	22	6.5	86	22	26	58	53	148	38	1.7
8-838-26	26	8.5	96	26	28	68	61	166	44	2.4
8-838-28	28	9.5	111	28	32	74	68	190	46	3.4
8-838-32	32	12	121	32	36	84	76	210	54	4.8
8-838-36	36	13.5	134	36	38	92	84	232	59	6.5
8-838-38	38	17	146	38	43	99	92	254	60	8.8
8-838-45	45	25	178	47	51	127	106	313	73	17.5
8-838-50	51	35	197	53	57	146	122	347	83	24.2

Other sizes available - please ask for details.



Due to our policy of continual product development, dimensions, weights and specifications may change without prior notice. Please check with your Tiger sales team when ordering.

Our innovation, your safety