

## Offshore Digital Hoist Ring Model No. 8-203-SS



### Main Features

- Suitable for use offshore – L7 bolt, ISO fit, sherardized coating (BSEN ISO 17668: 2016)
- Rotates through 360° and pivots 180°, allows lifting at any angle in this range
- Hoist ring body manufactured from forged alloy steel, quenched and tempered
- Manufactured and tested in accordance with EN1677-1
- Load rated parts are 100 % magnaflux crack detected
- Individual forged parts and bolts are traceable to Test Certification
- Bolts are Metric thread. Long bolts and UNC threads available upon request
- Proof tested to 2.5 times the WLL
- Fatigue rated to 20,000 cycles at 1.5 times the WLL
- All YOKE Lifting points meet or exceed all the requirements of ASME B30.26



### Certification

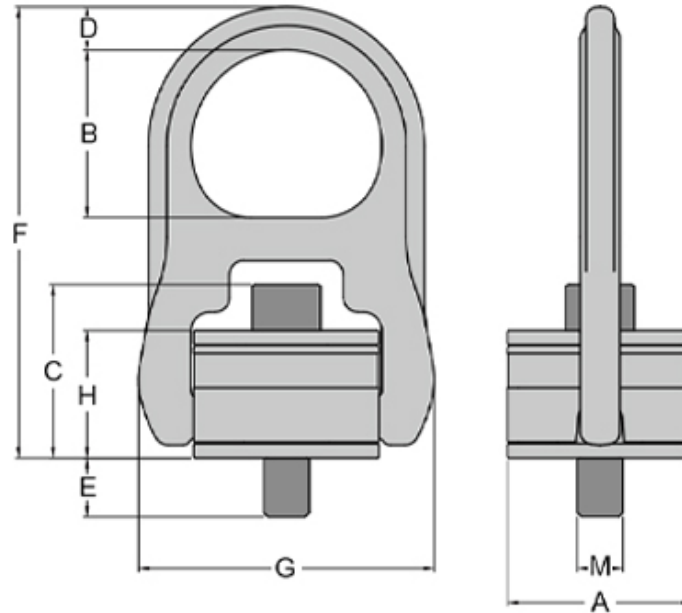
Each unit comes fully certified with a test certificate or an EC Declaration of Conformity stating compliance with the essential health and safety requirements of the Machinery Directive 2006/42/EC, the Supply of Machinery (Safety) Regulations 2008 and Section 6 of the Health and Safety at Work Etc Act 1974.

Manufactured and tested in accordance with EN1677-1. All YOKE Lifting points meet or exceed all the requirements of ASME B30.26.

### Sherardized bolt technology

- The zinc-iron coating protects against corrosion making it suitable for use offshore
- The 40µm coating thickness improves abrasion resistance
- The zinc vapour thermal diffusion process is an environmentally friendly and non-toxic process
- Reduces the risk of hydrogen embrittlement compared to other coating processes such as galvanising or electroplating
- Does not interfere with non-destructive test methods such as magnetic particle and Eddy current testing
- The zinc coating provides spark resistance
- The zinc layer provides an excellent bonding surface ideal for additional coatings
- The low temperature application of the coating process does not effect the material hardness

**Technical Data**



Product Code	Capacity/ WLL (t)	Thread (ISO)	Dimensions (mm)								Torque (Nm)	Mass (kg)
	SF 4:1	M (mm)	A	B	C	D	E	F	G	H		
8-203-010-SS	1.05	M12 x 1.75	65	58	57	15	15	158	105	45	38	1.7
8-203-019-SS	1.80	M16 x 2.00	65	58	61	15	20	158	105	45	81	1.8
8-203-021-SS	2.40	M20 x 2.50	65	58	65	15	25	158	105	45	136	1.8
8-203-042-SS	4.00	M24 x 3.00	85	73	78	22	26	204	134	54	312	4.2
8-203-070-SS	7.30	M30 x 3.50	100	80	77	25	82	218	160	58	637	6.6
8-203-110-SS	10.00	M36 x 4.00	120	106	108	36	75	308	220	85	1005	15.0
8-203-125-SS	14.20	M42 x 4.50	120	106	111	36	65	308	220	85	1005	16.0
8-203-135-SS	15.50	M48 x 5.00	120	106	115	36	70	308	220	85	1350	16.0

The Hoist Ring body has a Dacromet surface treatment - original silver colour.

Due to our policy of continual product development, dimensions, weights and specifications may change without prior notice. Please check with your Tiger sales team when ordering.