

ROV Eye Sling Hook Model No. 8-921



Main Features

- Forged alloy steel, quenched and tempered
- Designed specially for ROV application
- Individually stamped with the Working Load Limit
- Painted yellow to ensure ease of sight in water



Certification:

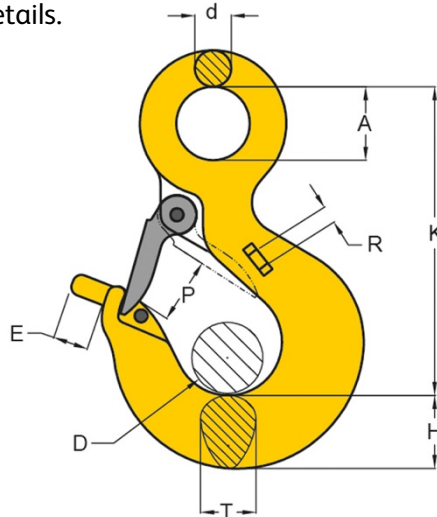
Each unit comes fully certified with a test certificate or an EC Declaration of Conformity stating compliance with the essential health and safety requirements of the Machinery Directive 2006/42/EC, the Supply of Machinery (Safety) Regulations 2008 and Section 6 of the Health and Safety at Work Etc Act 1974.

Manufactured and tested in accordance with EN1677-1. All YOKE Lifting points meet or exceed all the requirements of ASME B30.26.

Technical Data

Product Code	Capacity (tonnes)	Dimensions (mm)									Net Weight (kg)
		A	D	d	E	H	K	P	R	T	
8-921-05	5.0	40	31	18	20	37	149	31	8	31	2.1
8-921-15	15.0	72	62	33	30	64	260	62	8	52	9.4

Other sizes available - please ask for details.



Due to our policy of continual product development, dimensions, weights and specifications may change without prior notice. Please check with your Tiger sales team when ordering.