



G80 Eye Grab Hook Model No. 8-041

Main Features

- Not for use with Omega Link item 8-018
- No reduction of working load limit, thanks to supporting wings which prevent chain link deformation
- Design factor 4:1 proof tested and certified

Certification:

Each unit comes fully certified with a test certificate or an EC Declaration of Conformity stating compliance with the essential health and safety requirements of the Machinery Directive 2006/42/EC, the Supply of Machinery (Safety) Regulations 2008 and Section 6 of the Health and Safety at Work Etc Act 1974.

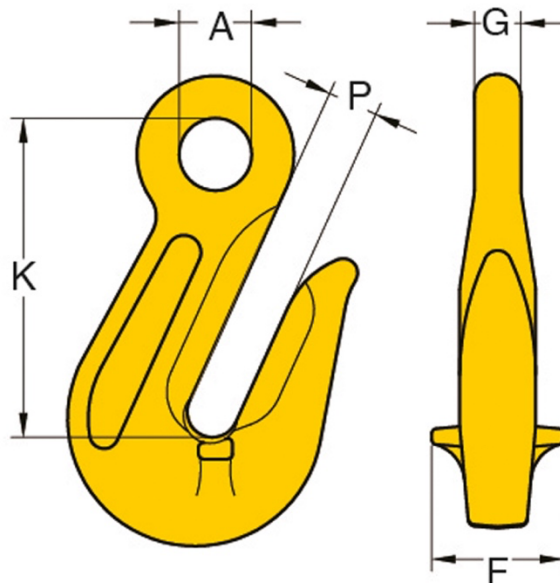


Manufactured and tested in accordance with EN1677-1. All YOKE Lifting points meet or exceed all the requirements of ASME B30.26.

Technical Data

Product Code	Capacity (tonne)	For Grade 80 Chain	Dimensions (mm)					Net Weight (kg)
			A	F	G	K	P	
8-041-07	2.0	7, 8	15	30	9	62	10	0.3
8-041-10	3.15	10	20	40	13	82	13	0.6
8-041-13	5.3	13	26	52	16	107	16	1.4
8-041-16	8.0	16	30	70	20	132	22	2.3
8-041-20	12.5	18, 20	38	73	24	147	24	3.9
8-041-22	15.0	22	42	86	26	166	26	4.7
8-041-32	31.5	32	61	127	41	269	37	21.4

Other sizes available - please ask for details.



Due to our policy of continual product development, dimensions, weights and specifications may change without prior notice. Please check with your Tiger sales team when ordering.