

SupraTag

Model No. RI-13243

Stainless steel tag with digital chip embedded to easily have product information accessible.

Main Features

- NFC enabled
- Corrosion resistant stainless steel
- Meets the requirements of UK Military Standard MIL-STD-810H
- IK10 impact protection level
- Highest IP68 rating of dust and water resistance
- Unique design of propriety water-antenna chip construction
- Patents in several countries
- By using the RFID SupraTag with third-party asset management application, you can access product traceability, manufacturers authentication and digitised product information such as location and latest inspection record



Compliant:



NFC Enabled

Functionality

RF Protocol	ISO 15693
Operating Frequency	HF - 13.56 MHz
Memory Configuration	16 Character UID, 2000 bits User
R/W Capability	Read/Write

Performance

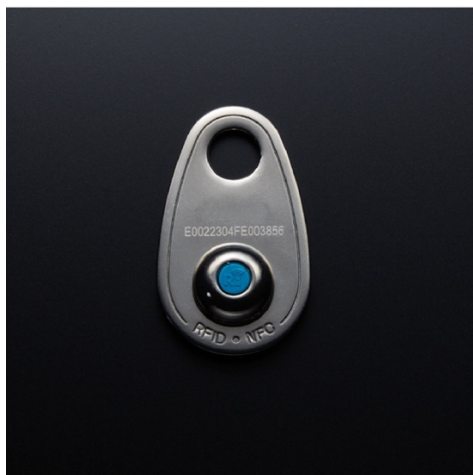
Read Range	Maximum to 5mm (0.2")
Quality Guarantee	100 %
Orientation	Front Face Read
IP Rating	IP68

Physical

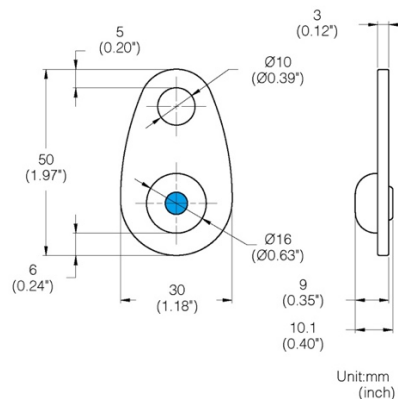
Quality Guarantee	PA 6 + 30 GF
Mounting System	Universal Use
Colour	Tag: Turquoise Blue Plate & Housing: Polished

Operational

Max Temperature Exposure	125°C/257°F
Min Temperature Exposure	-30°C/-22°F
Continuous Max Service Temperature	125°C/257°F
Continuous Min Service Temperature	-30°C/-22°F
Water and Ice Proof	Yes



NFC Enabled



weight: 33g (1.16oz)

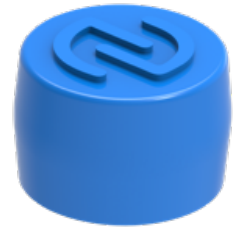
SupraNano

Model No. RI-13227

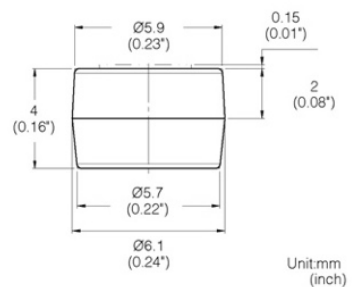
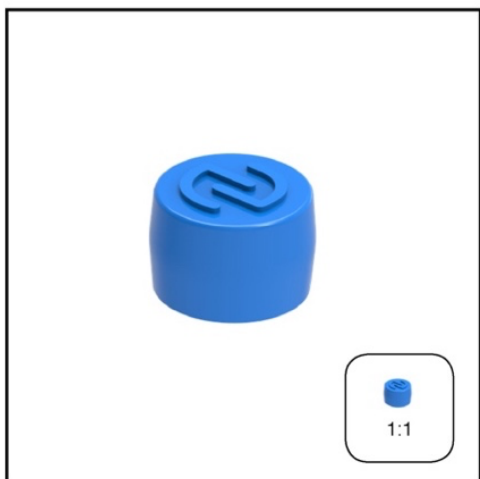
Digital chip to embed into products.

Main Features

- NFC enabled mobile device or smart phone (iOS 14 or greater required/ Android 12 or greater required) can be used as reader
- Patents in several countries
- By using the Supra Digital Chips with third-party asset management application to achieve product traceability, manufacturer authentication and digitised product information



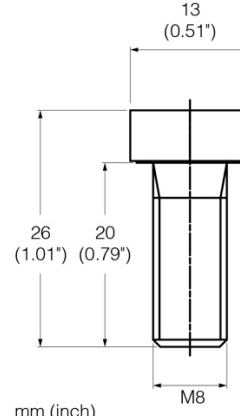
Functionality	
RF Protocol	ISO 15693
Operating Frequency	HF - 13.56 MHz
Memory Configuration	16 Character UID, 2000 bits User
R/W Capability	Read/Write
Performance	
Read Range	Maximum to 5mm (0.2")
Quality Guarantee	100 %
Orientation	Front Face Read
IP Rating	IP68
Physical	
Quality Guarantee	PA 6 + 30 GF
Mounting System	Universal Use
Colour	Turquoise Blue
Operational	
Max Temperature Exposure	125°C/257°F
Min Temperature Exposure	-30°C/-22°F
Continuous Max Service Temperature	125°C/257°F
Continuous Min Service Temperature	-30°C/-22°F
Water and Ice Proof	Yes



weight: 0.15g (0.005oz)

Supra Metric Thread Bolt

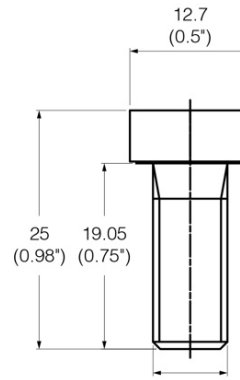
Model No. RI-13226



mm (inch)
weight: 10.6g (0.37oz)

Supra UNC Thread Bolt

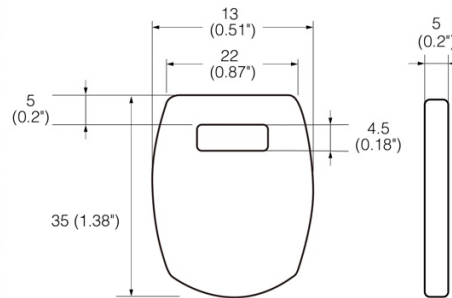
Model No. RI-13228



5/16 - 18UNC
mm (inch)
weight: 10.4g (0.36oz)

Supra PPE SupraTag

Model No. RI-13234



mm (inch)
weight: 2.1g (0.07oz)



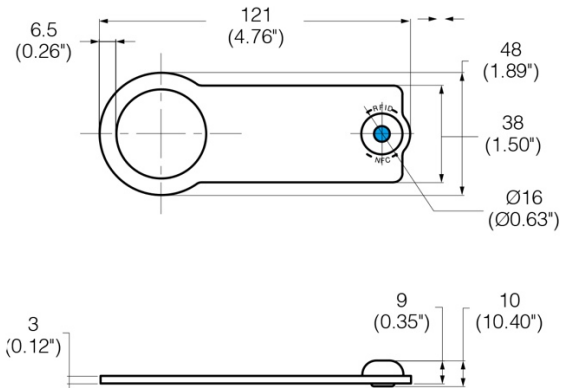
Supra SupraPoint

Model No. RI-13244



Supra Chain Sling Tag

Model No. RI-13261



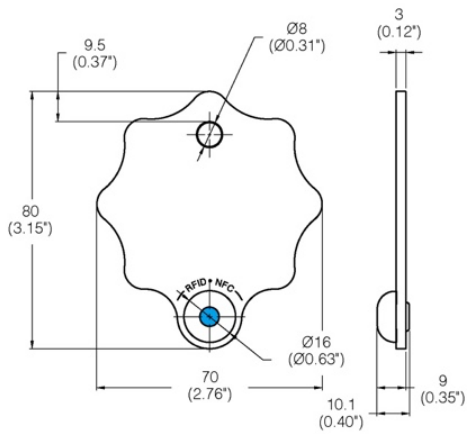
Supra G8 Tag - SS

Model No. RI-13265

Supra G8 Tag - Aluminium

Model No. RI-13265-A

Grade 8 chain tag with digital chip embedded.



weight: 85g (3.1oz)

Unit:mm
(inch)

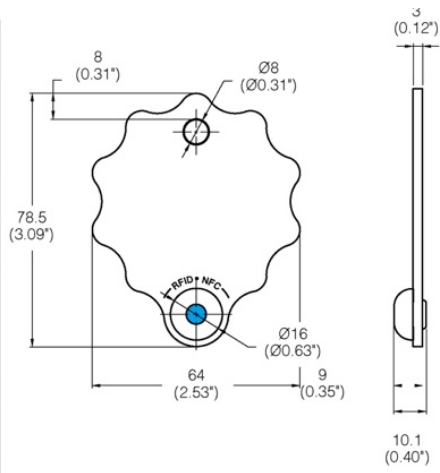
Supra G10 Tag - SS

Model No. RI-13268

Supra G10 Tag - Aluminium

Model No. RI-13268-A

Grade 100 chain tag with digital chip embedded.

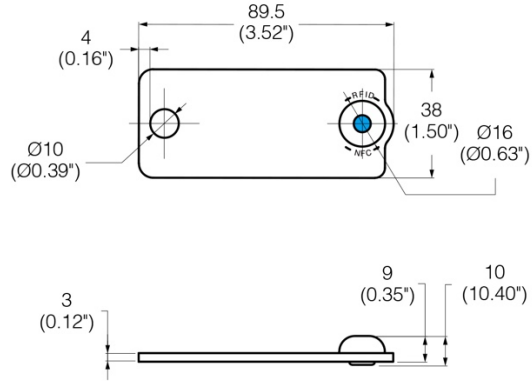
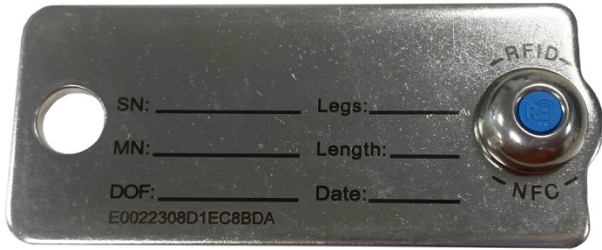


weight: 85g (3oz)

Unit:mm
(inch)

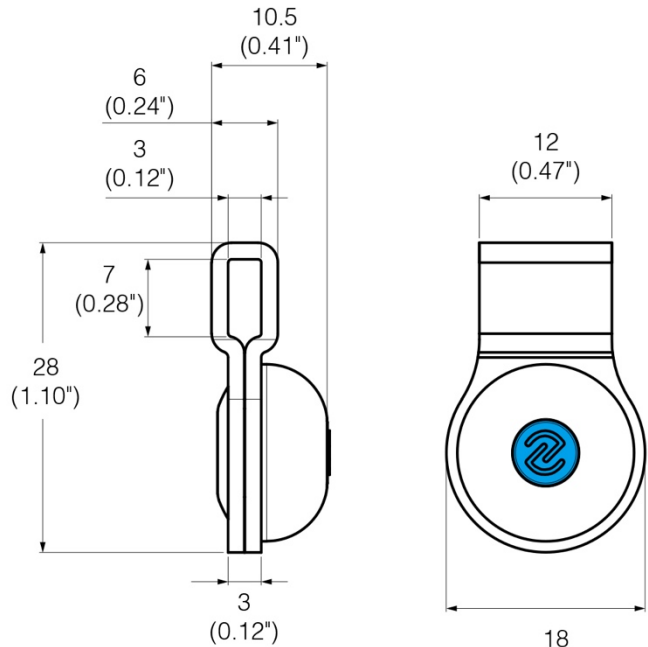
Supra Wire Rope Sling Tag

Model No. RI-13267



Supra Hydraulic/Chemical Hose and Pipe SupraTag

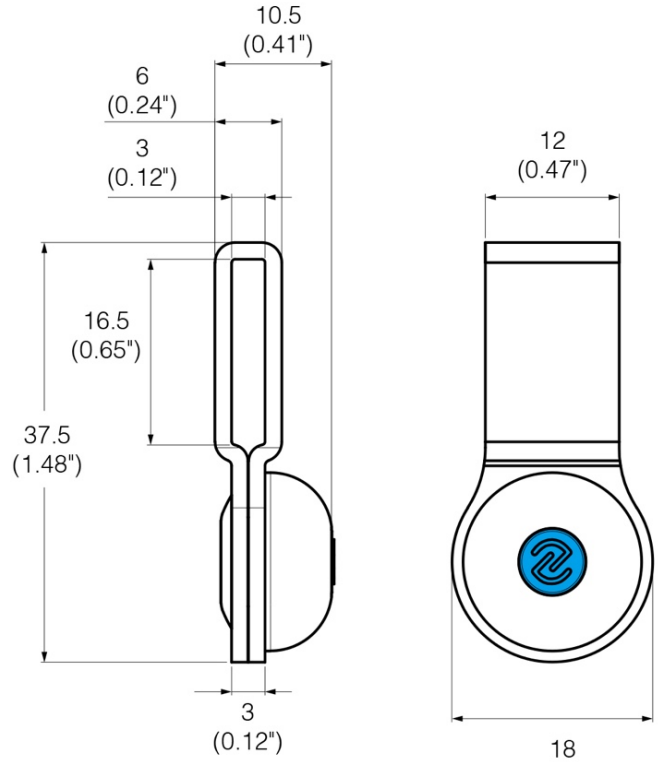
Model No. RI-13271



mm (inch)
weight: 16g (0.56oz)

Supra Industrial/Chemical Hose and Pipe SupraTag

Model No. RI-13273



mm (inch)
weight: 20g (0.71oz)

Supra SupraOne

Model No. RI-13274



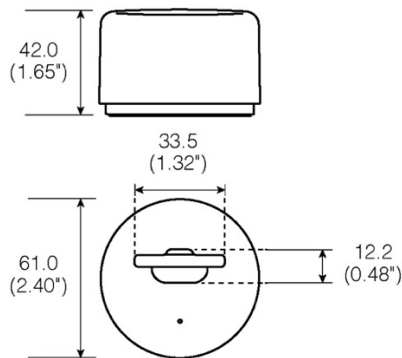
SupraHana

Model No. RI-1762

Digital chip reader for use with the SupraTag.

Main Features

- Compatible with SupraTag
- Applied with YOKE SupraTag for fast reading
- Easy to plug-n-play
- Connects directly to USB ports and sends data as keystrokes
- Compatibility with Windows and Macintosh
- Placed anywhere on the desktop



Unit: mm
(inch)



Functionality	
Working Voltage	5V DC
Working Frequency	HF - 13.56 MHz
USB Port	Type-A
Physical	
Material and Colour	ABS, White
Wire Length	1.8m
Operational	
Working Temperature	-20 - 60°C
Storage Temperature	0 - 60°C
Dimensions	
Product Net Weight	85 g
Product Size	61 x 61 x 42 mm

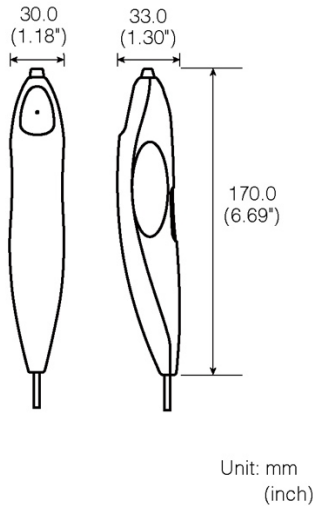
SupraPin

Model No. RI-1724

Digital chip reader.

Main Features

- Works with any Digital Chips for fast reading
- Easy to plug-n-play
- Connects directly to USB ports and send data as keystrokes
- Compatibility with Windows and Macintosh
- Easy to apply on the production line



Functionality	
Working Voltage	5V DC
Working Frequency	HF - 13.56 MHz
USB Port	Type-A
Physical	
Material and Colour	ABS, White
Wire Length	1.8m
Operational	
Working Temperature	-20 - 60°C
Storage Temperature	0 - 60°C
Dimensions	
Product Net Weight	93 g
Product Size	170 x 30 x 35 mm