



## PSA - INOX - YEP Model No. 8-285

### Main Features

- Rotates through 360° adjustable in the direction of the load
- Manufactured from forged stainless steel
- Tested in accordance with EN795 or TS16415
- Load rated parts are 100 % magnaflux crack detected
- Individual forged parts and cap screw are traceable to Test Certification
- Passed 22.2KN/person load testing
- Passed 100kg or 150 kg dynamic fall testing (EU standard is 100 kg)
- Meets all requirements of the German BG BAU (Employer's insurance association of the building industry)
- Meets all requirements of DIN EN795, DIN EN50308, OSHA1926.502
- Acc. to DIN EN 365 including statement for the number of load bearing persons is 1-2 persons
- YOKE yellow powder coating for high visibility
- Suitable for permanently outdoor application
- PSA-INOX Lifting point to be as an anchor point for personal protective equipment



### Certification:

Each unit comes fully certified with a test certificate or an EC Declaration of Conformity stating compliance with the essential health and safety requirements of the Machinery Directive 2006/42/EC, the Supply of Machinery (Safety) Regulations 2008 and Section 6 of the Health and Safety at Work Etc Act 1974.

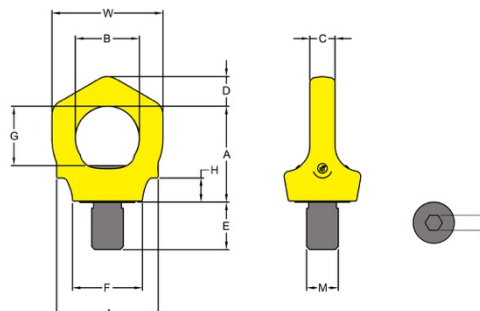
Manufactured and tested in accordance with EN1677-1. All YOKE Lifting points meet or exceed all the requirements of ASME B30.26.

### Technical Data Metric

Product Code	Capacity/WLL (tonnes)	Thread Version M	Dimensions (mm)											Torque in (Nm)	Net Weight (kg)
			A	B	C	D	E	F	G	H	J	S	W		
8-285-007	1 Pers	M12x1.75	45	30	10	14	18	33	29	9	48	8	52	10	0.2
8-285-015	1-2 Pers	M16x2.0	52	35	14	16	24	35	33	12	56	10	61	30	0.3
8-285-023	1-2 Pers	M20x2.5	60	40	16	19	30	44	37	15	64	12	70	70	0.6

### Technical Data Imperial

Product Code	Capacity/WLL (tonnes)	Thread Version M	Dimensions (inch)											Torque in (ft. lbs)	Net Weight (lbs)
			A	B	C	D	E	F	G	H	J	S	W		
8-285-007	1 Pers	M12x1.75	1.8	1.2	0.4	0.6	0.7	1.3	1.1	0.4	1.9	0.3	2.0	7.4	0.4
8-285-015	1-2 Pers	M16x2.0	2.0	1.4	0.6	0.6	0.9	1.4	1.3	0.5	2.2	0.4	2.4	22.1	0.7
8-285-023	1-2 Pers	M20x2.5	2.4	1.6	0.6	0.7	1.2	1.7	1.5	0.6	2.5	0.5	2.8	51.7	1.3



Due to our policy of continual product development, dimensions, weights and specifications may change without prior notice. Please check with your Tiger sales team when ordering.

**Our innovation, your safety**