



PSA - YEP Model No. 8-281

Main Features

- Rotates through 360° adjustable in the direction of the load
- Manufactured from forged alloy steel, quenched and tempered
- Tested in accordance with EN795 or TS16415
- Certified by PSA of DGUV
- Load rated parts are 100 % magnaflux crack detected
- Individual forged parts and cap screw are traceable to Test Certification
- Passed 22.2 KN/person Load testing
- Passed 100kg or 150 kg dynamic fall testing (EU standard is 100 kg)
- Meets all requirements of the German BG BAU (Employer's insurance association of the building industry)
- Meets all requirements of DIN EN795, DIN EN50308, OSHA1926.502.
- Acc. to DIN EN 365 including statement for the number of load bearing persons is 1-2 persons
- YOKE yellow powder coating for high visibility
- PSA - Lifting point to be as an anchor point for personal protective equipment



Certification:

Each unit comes fully certified with a test certificate or an EC Declaration of Conformity stating compliance with the essential health and safety requirements of the Machinery Directive 2006/42/EC, the Supply of Machinery (Safety) Regulations 2008 and Section 6 of the Health and Safety at Work Etc Act 1974.

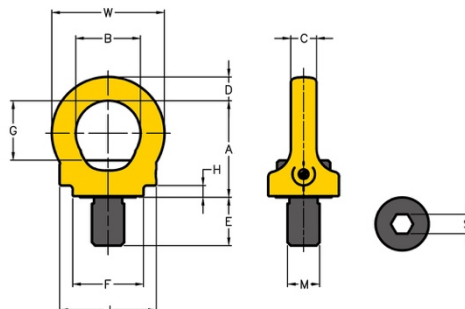
Manufactured and tested in accordance with EN1677-1. All YOKE Lifting points meet or exceed all the requirements of ASME B30.26.

Technical Data Metric

| Product Code | Capacity/WLL (tonnes) | Thread Version M | Dimensions (mm) | | | | | | | | | | | Torque in (Nm) | Net Weight (kg) |
|--------------|-----------------------|------------------|-----------------|----|----|----|----|----|----|---|----|----|----|----------------|-----------------|
| | | | A | B | C | D | E | F | G | H | J | S | W | | |
| 8-281-007 | 1 Pers | M12x1.75 | 45 | 30 | 10 | 11 | 18 | 33 | 29 | 5 | 45 | 8 | 52 | 10 | 0.2 |
| 8-281-015 | 1-2 Pers | M16x2.0 | 52 | 35 | 14 | 13 | 24 | 35 | 33 | 8 | 52 | 10 | 61 | 30 | 0.3 |
| 8-281-023 | 1-2 Pers | M20x2.5 | 60 | 40 | 16 | 15 | 30 | 44 | 37 | 7 | 60 | 12 | 70 | 70 | 0.6 |

Technical Data Imperial

| Product Code | Capacity/WLL (tonnes) | Thread Version M | Dimensions (inch) | | | | | | | | | | | Torque in (ft. lbs) | Net Weight (lbs) |
|--------------|-----------------------|------------------|-------------------|-----|-----|-----|-----|-----|-----|-----|-----|-----|-----|---------------------|------------------|
| | | | A | B | C | D | E | F | G | H | J | S | W | | |
| 8-281-007 | 1 Pers | M12x1.75 | 1.8 | 1.2 | 0.4 | 0.4 | 0.7 | 1.3 | 1.1 | 0.2 | 1.8 | 0.3 | 2.0 | 7.4 | 0.4 |
| 8-281-015 | 1-2 Pers | M16x2.0 | 2.0 | 1.4 | 0.6 | 0.5 | 0.9 | 1.4 | 1.3 | 0.3 | 2.0 | 0.4 | 2.4 | 22.1 | 0.7 |
| 8-281-023 | 1-2 Pers | M20x2.5 | 2.4 | 1.6 | 0.6 | 0.6 | 1.2 | 1.7 | 1.5 | 0.3 | 2.4 | 0.5 | 2.8 | 51.7 | 1.3 |



Due to our policy of continual product development, dimensions, weights and specifications may change without prior notice. Please check with your Tiger sales team when ordering.

Our innovation, your safety