

## Universal Tags

### SupraTag

Model No. RI-13243

### Application

Universal.

### Main Features

- NFC enabled
- Corrosion resistant stainless steel
- Meets the requirements of UK Military Standard MIL-STD-810H
- IK10 impact protection level
- Highest IP68 rating of dust and water resistance
- Unique design of propriety water-antenna chip construction
- Patents in several countries
- By using the RFID SupraTag with third-party asset management application, you can access product traceability, manufacturers authentication and digitised product information such as location and latest inspection record



### Compliant:



NFC Enabled

#### Functionality

RF Protocol	ISO 15693
Operating Frequency	HF - 13.56 MHz
Memory Configuration	16 Character UID, 2000 bits User
R/W Capability	Read/Write

#### Performance

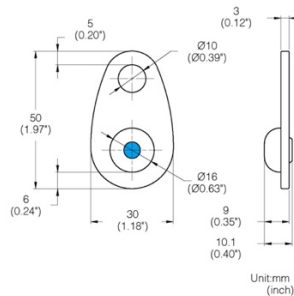
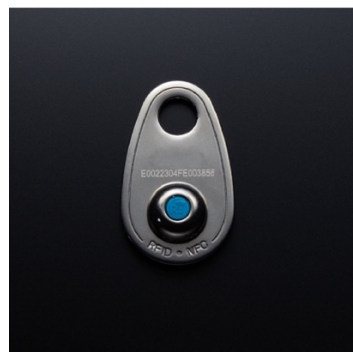
Read Range	Maximum to 5mm (0.2")
Quality Guarantee	100 %
Orientation	Front Face Read
IP Rating	IP68

#### Physical

Quality Guarantee	PA 6 + 30 GF
Mounting System	Universal Use
Colour	Tag: Turquoise Blue Plate & Housing: Polished

#### Operational

Max Temperature Exposure	125°C/257°F
Min Temperature Exposure	-30°C/-22°F
Continuous Max Service Temperature	125°C/257°F
Continuous Min Service Temperature	-30°C/-22°F
Water and Ice Proof	Yes



weight: 33g (1.16oz)

## SupraNano

Model No. RI-13227

### Application

Digital chip to embed into products.

### Main Features

- NFC enabled mobile device or smart phone (iOS 14 or greater required/ Android 12 or greater required) can be used as reader
- Patents in several countries
- By using the Supra Digital Chips with third-party asset management application to achieve product traceability, manufacturer authentication and digitised product information



#### Functionality

RF Protocol	ISO 15693
Operating Frequency	HF - 13.56 MHz
Memory Configuration	16 Character UID, 2000 bits User
R/W Capability	Read/Write

#### Performance

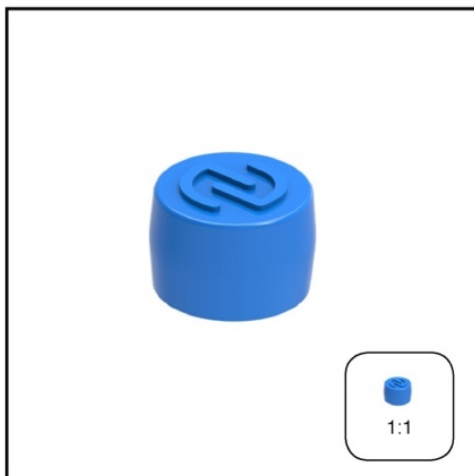
Read Range	Maximum to 5mm (0.2")
Quality Guarantee	100 %
Orientation	Front Face Read
IP Rating	IP68

#### Physical

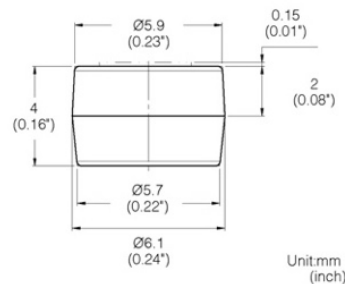
Quality Guarantee	PA 6 + 30 GF
Mounting System	Universal Use
Colour	Turquoise Blue

#### Operational

Max Temperature Exposure	125°C/257°F
Min Temperature Exposure	-30°C/-22°F
Continuous Max Service Temperature	125°C/257°F
Continuous Min Service Temperature	-30°C/-22°F
Water and Ice Proof	Yes



NFC Enabled



weight: 0.15g (0.005oz)

## SupraNail

Model No. RI-13248

### Application

Engineering equipment, machine.

### Main Features

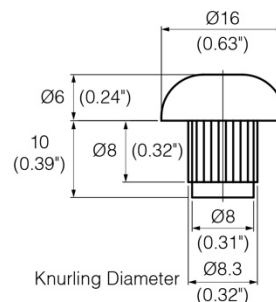
- NFC enabled mobile device or smart phone (iOS 14 or greater required/ Android 12 or greater required) can be used as reader
- Patents in several countries
- By using the Supra Digital Chips with third-party asset management application to achieve product traceability, manufacturer authentication and digitised product information
- Unique design of proprietary wafer-antenna chip construction



Functionality	
RF Protocol	ISO 15693
Operating Frequency	HF - 13.56 MHz
Memory Configuration	16 Character UID, 2000 bits User
R/W Capability	Read/Write
Performance	
Read Range	Maximum to 5mm (0.2")
Quality Guarantee	100 %
Orientation	Front Face Read
Physical	
Materials	Stainless Steel (Polish)
Mounting System	Universal Use
Operational	
Max Temperature Exposure	125°C/257°F
Min Temperature Exposure	-30°C/-22°F
Continuous Max Service Temperature	125°C/257°F
Continuous Min Service Temperature	-30°C/-22°F
Water and Ice Proof	Yes



[SUS304]



mm (inch)

weight: 10.6g (0.37 oz)



NFC Enabled

## SupraMini

Model No. RI-13272

### Application

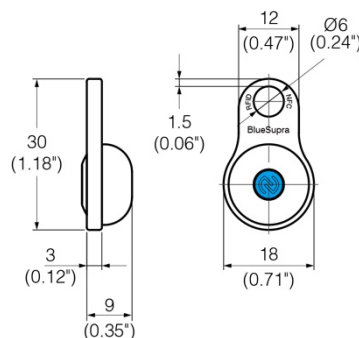
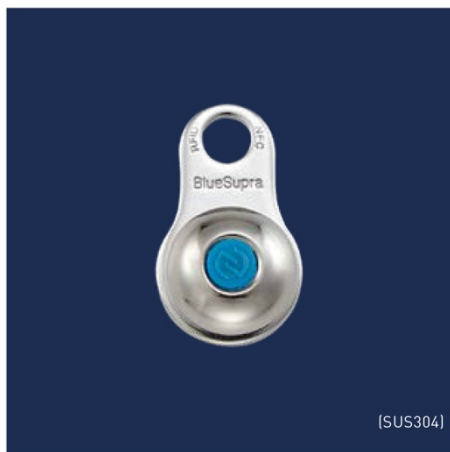
Universal.

### Main Features

- NFC enabled mobile device or smart phone (iOS 14 or greater required/ Android 12 or greater required) can be used as reader
- Patents in several countries
- By using the Supra Digital Chips with third-party asset management application to achieve product traceability, manufacturer authentication and digitised product information
- Unique design of proprietary wafer-antenna chip construction



Functionality	
RF Protocol	ISO 15693
Operating Frequency	HF - 13.56 MHz
Memory Configuration	16 Character UID, 2000 bits User
R/W Capability	Read/Write
Performance	
Read Range	Maximum to 5mm (0.2")
Quality Guarantee	100 %
Orientation	Front Face Read
Physical	
Materials	Stainless Steel (Polish)
Mounting System	Universal Use
Operational	
Max Temperature Exposure	125°C/257°F
Min Temperature Exposure	-30°C/-22°F
Continuous Max Service Temperature	125°C/257°F
Continuous Min Service Temperature	-30°C/-22°F
Water and Ice Proof	Yes



mm (inch)  
weight: 16g (0.56oz)



NFC Enabled

## SupraLoop

Model No. RI-13282

### Application

Universal.

### Main Features

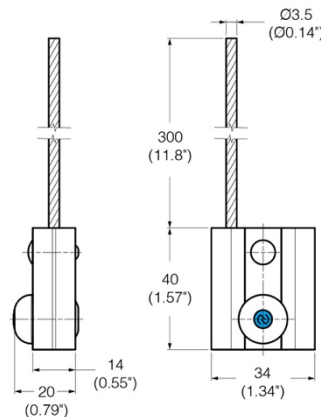
- NFC enabled mobile device or smart phone (iOS 14 or greater required/ Android 12 or greater required) can be used as reader
- The 7x19 stainless steel wire rope with a diameter of 3.5mm is strong, flexible, and convenient to use
- The tensile strength of the wire rope is greater than 10kN
- By using the Supra Digital Chips with third-party asset management application to achieve product traceability, manufacturer authentication and digitised product information
- Unique design of proprietary wafer-antenna chip construction



Functionality	
RF Protocol	ISO 15693
Operating Frequency	HF - 13.56 MHz
Memory Configuration	16 Character UID, 2000 bits User
R/W Capability	Read/Write
Performance	
Read Range	Maximum to 5mm (0.2")
Quality Guarantee	100 %
Orientation	Front Face Read
Physical	
Materials	Stainless Steel (Polish)
Mounting System	Universal Use
Operational	
Max Temperature Exposure	125°C/257°F
Min Temperature Exposure	-30°C/-22°F
Continuous Max Service Temperature	125°C/257°F
Continuous Min Service Temperature	-30°C/-22°F
Water and Ice Proof	Yes



[SUS304]



mm (inch)  
weight: 47g (1.66oz)



NFC Enabled

## SupraHoseTag 7mm

Model No. RI-13271

### Application

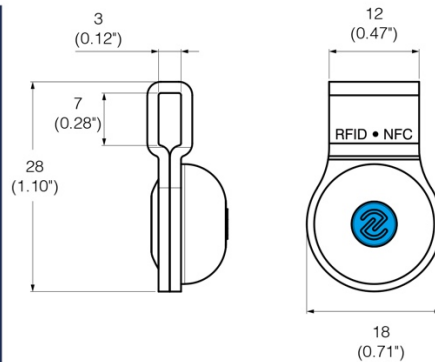
Pipeline, hose, valve.

### Main Features

- NFC enabled mobile device or smart phone (iOS 14 or greater required/ Android 12 or greater required) can be used as reader
- By using the Supra Digital Chips with third-party asset management application to achieve product traceability, manufacturer authentication and digitised product information
- Unique design of proprietary wafer-antenna chip construction



Functionality	
RF Protocol	ISO 15693
Operating Frequency	HF - 13.56 MHz
Memory Configuration	16 Character UID, 2000 bits User
R/W Capability	Read/Write
Performance	
Read Range	Maximum to 5mm (0.2")
Quality Guarantee	100 %
Orientation	Front Face Read
Physical	
Materials	Stainless Steel (Polish)
Mounting System	Universal Use
Operational	
Max Temperature Exposure	125°C/257°F
Min Temperature Exposure	-30°C/-22°F
Continuous Max Service Temperature	125°C/257°F
Continuous Min Service Temperature	-30°C/-22°F
Water and Ice Proof	Yes



mm (inch)  
weight: 17.5g (0.62 oz)



**NFC Enabled**

## SupraHoseTag 16mm

Model No. RI-13273

### Application

Pipeline, hose, valve, wire rope sling.

### Main Features

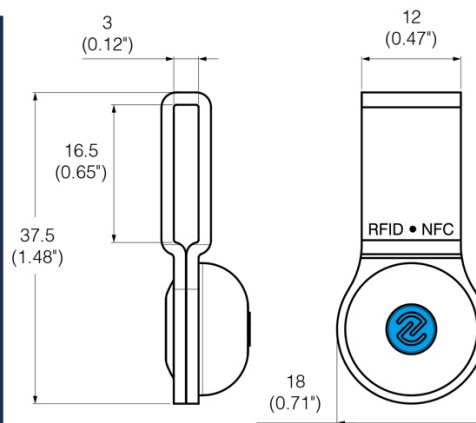
- NFC enabled mobile device or smart phone (iOS 14 or greater required/ Android 12 or greater required) can be used as reader
- By using the Supra Digital Chips with third-party asset management application to achieve product traceability, manufacturer authentication and digitised product information
- Unique design of proprietary wafer-antenna chip construction



Functionality	
RF Protocol	ISO 15693
Operating Frequency	HF - 13.56 MHz
Memory Configuration	16 Character UID, 2000 bits User
R/W Capability	Read/Write
Performance	
Read Range	Maximum to 5mm (0.2")
Quality Guarantee	100 %
Orientation	Front Face Read
Physical	
Materials	Stainless Steel (Polish)
Mounting System	Universal Use
Operational	
Max Temperature Exposure	125°C/257°F
Min Temperature Exposure	-30°C/-22°F
Continuous Max Service Temperature	125°C/257°F
Continuous Min Service Temperature	-30°C/-22°F
Water and Ice Proof	Yes



(SUS304)



mm (inch)  
weight: 17.5g (0.62 oz)



**NFC Enabled**



## SupraRing

Model No. RI-13279

### Application

Pipeline, hose, valve.

### Main Features

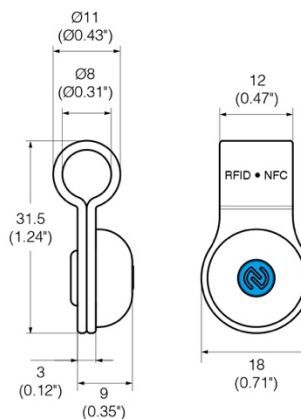
- NFC enabled mobile device or smart phone (iOS 14 or greater required/ Android 12 or greater required) can be used as reader
- By using the Supra Digital Chips with third-party asset management application to achieve product traceability, manufacturer authentication and digitised product information
- Unique design of proprietary wafer-antenna chip construction



Functionality	
RF Protocol	ISO 15693
Operating Frequency	HF - 13.56 MHz
Memory Configuration	16 Character UID, 2000 bits User
R/W Capability	Read/Write
Performance	
Read Range	Maximum to 5mm (0.2")
Quality Guarantee	100 %
Orientation	Front Face Read
Physical	
Materials	Stainless Steel (Polish)
Mounting System	Universal Use
Operational	
Max Temperature Exposure	125°C/257°F
Min Temperature Exposure	-30°C/-22°F
Continuous Max Service Temperature	125°C/257°F
Continuous Min Service Temperature	-30°C/-22°F
Water and Ice Proof	Yes



[SUS304]



mm (inch)  
weight: 18g (0.63oz)





## SupraBolt M8x20mm

Model No. RI-13226

### Application

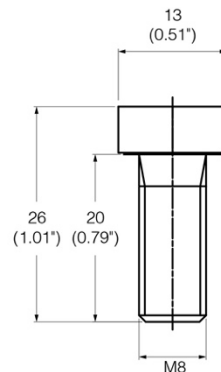
Engineering equipment, machine.

### Main Features

- Metric thread
- NFC enabled mobile device or smart phone (iOS 14 or greater required/ Android 12 or greater required) can be used as reader
- By using the Supra Digital Chips with third-party asset management application to achieve product traceability, manufacturer authentication and digitised product information
- Unique design of proprietary wafer-antenna chip construction



Functionality	
RF Protocol	ISO 15693
Operating Frequency	HF - 13.56 MHz
Memory Configuration	16 Character UID, 2000 bits User
R/W Capability	Read/Write
Performance	
Read Range	Maximum to 5mm (0.2")
Quality Guarantee	100 %
Orientation	Front Face Read
Physical	
Materials	Stainless Steel (Polish)
Mounting System	Universal Use
Operational	
Max Temperature Exposure	125°C/257°F
Min Temperature Exposure	-30°C/-22°F
Continuous Max Service Temperature	125°C/257°F
Continuous Min Service Temperature	-30°C/-22°F
Water and Ice Proof	Yes



mm (inch)  
weight: 10.6g (0.37oz)



NFC Enabled

## SupraBolt 5/16x3/4"

Model No. RI-13228

### Application

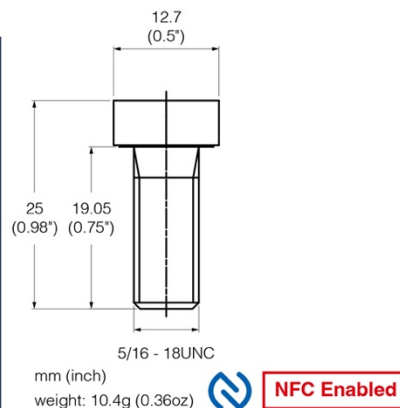
Engineering equipment, machine.

### Main Features

- UNC thread
- NFC enabled mobile device or smart phone (iOS 14 or greater required/ Android 12 or greater required) can be used as reader
- By using the Supra Digital Chips with third-party asset management application to achieve product traceability, manufacturer authentication and digitised product information
- Unique design of proprietary wafer-antenna chip construction



Functionality	
RF Protocol	ISO 15693
Operating Frequency	HF - 13.56 MHz
Memory Configuration	16 Character UID, 2000 bits User
R/W Capability	Read/Write
Performance	
Read Range	Maximum to 5mm (0.2")
Quality Guarantee	100 %
Orientation	Front Face Read
Physical	
Materials	Stainless Steel (Polish)
Mounting System	Universal Use
Operational	
Max Temperature Exposure	125°C/257°F
Min Temperature Exposure	-30°C/-22°F
Continuous Max Service Temperature	125°C/257°F
Continuous Min Service Temperature	-30°C/-22°F
Water and Ice Proof	Yes



## SupraCastle M10x20mm

Model No. RI-13221

### Application

Engineering equipment, machine.

### Main Features

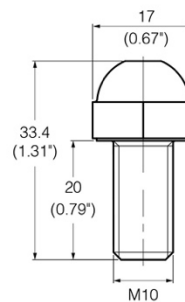
- Metric thread
- NFC enabled mobile device or smart phone (iOS 14 or greater required/ Android 12 or greater required) can be used as reader
- By using the Supra Digital Chips with third-party asset management application to achieve product traceability, manufacturer authentication and digitised product information
- Unique design of proprietary wafer-antenna chip construction



Functionality	
RF Protocol	ISO 15693
Operating Frequency	HF - 13.56 MHz
Memory Configuration	16 Character UID, 2000 bits User
R/W Capability	Read/Write
Performance	
Read Range	Maximum to 5mm (0.2")
Quality Guarantee	100 %
Orientation	Front Face Read
Physical	
Materials	Stainless Steel (Polish)
Mounting System	Universal Use
Operational	
Max Temperature Exposure	125°C/257°F
Min Temperature Exposure	-30°C/-22°F
Continuous Max Service Temperature	125°C/257°F
Continuous Min Service Temperature	-30°C/-22°F
Water and Ice Proof	Yes



[SUS304]



mm (inch)

weight: 16g (0.56oz)



NFC Enabled

## SupraCastle 3/8x3/4"

Model No. RI-13223

### Application

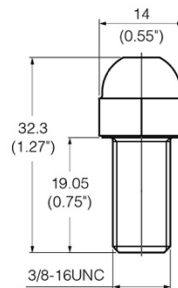
Engineering equipment, machine.

### Main Features

- UNC thread
- NFC enabled mobile device or smart phone (iOS 14 or greater required/ Android 12 or greater required) can be used as reader
- By using the Supra Digital Chips with third-party asset management application to achieve product traceability, manufacturer authentication and digitised product information
- Unique design of proprietary wafer-antenna chip construction



<b>Functionality</b>	
RF Protocol	ISO 15693
Operating Frequency	HF - 13.56 MHz
Memory Configuration	16 Character UID, 2000 bits User
R/W Capability	Read/Write
<b>Performance</b>	
Read Range	Maximum to 5mm (0.2")
Quality Guarantee	100 %
Orientation	Front Face Read
<b>Physical</b>	
Materials	Stainless Steel (Polish)
Mounting System	Universal Use
<b>Operational</b>	
Max Temperature Exposure	125°C/257°F
Min Temperature Exposure	-30°C/-22°F
Continuous Max Service Temperature	125°C/257°F
Continuous Min Service Temperature	-30°C/-22°F
Water and Ice Proof	Yes



mm (inch)  
weight: 16g (0.56oz)



NFC Enabled

## SupraPlate

Model No. RI-13263

### Application

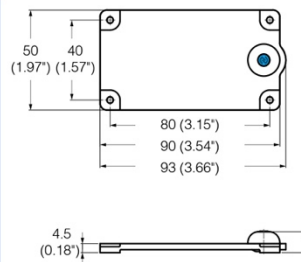
Engineering equipment, machine.

### Main Features

- NFC enabled mobile device or smart phone (iOS 14 or greater required/ Android 12 or greater required) can be used as reader
- By using the Supra Digital Chips with third-party asset management application to achieve product traceability, manufacturer authentication and digitised product information
- Unique design of proprietary wafer-antenna chip construction



Functionality	
RF Protocol	ISO 15693
Operating Frequency	HF - 13.56 MHz
Memory Configuration	16 Character UID, 2000 bits User
R/W Capability	Read/Write
Performance	
Read Range	Maximum to 5mm (0.2")
Quality Guarantee	100 %
Orientation	Front Face Read
Physical	
Materials	Aluminium (Anodizing)
Mounting System	Universal Use
Operational	
Max Temperature Exposure	125°C/257°F
Min Temperature Exposure	-30°C/-22°F
Continuous Max Service Temperature	125°C/257°F
Continuous Min Service Temperature	-30°C/-22°F
Water and Ice Proof	Yes



mm (inch)  
weight: 44g (1.55oz)



NFC Enabled

## SupraWeb

Model No. RI-13236

## Application

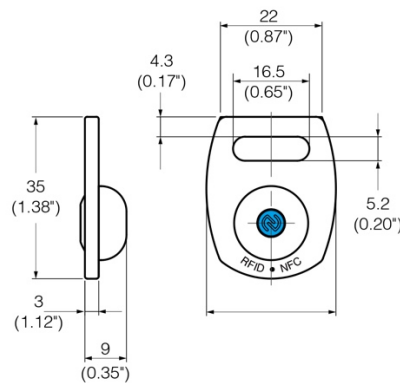
Lifting sling.

## Main Features

- NFC enabled mobile device or smart phone (iOS 14 or greater required/ Android 12 or greater required) can be used as reader
- By using the Supra Digital Chips with third-party asset management application to achieve product traceability, manufacturer authentication and digitised product information
- Unique design of proprietary wafer-antenna chip construction



Functionality	
RF Protocol	ISO 15693
Operating Frequency	HF - 13.56 MHz
Memory Configuration	16 Character UID, 2000 bits User
R/W Capability	Read/Write
Performance	
Read Range	Maximum to 5mm (0.2")
Quality Guarantee	100 %
Orientation	Front Face Read
Physical	
Materials	Stainless Steel (Polish)
Mounting System	Universal Use
Operational	
Max Temperature Exposure	125°C/257°F
Min Temperature Exposure	-30°C/-22°F
Continuous Max Service Temperature	125°C/257°F
Continuous Min Service Temperature	-30°C/-22°F
Water and Ice Proof	Yes



mm (inch)  
weight: 16g (0.56oz)



NFC Enabled

## SupraButton

Model No. RI-13286

### Application

Universal.

### Main Features

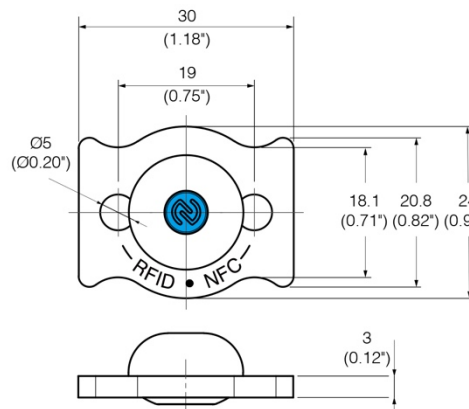
- NFC enabled mobile device or smart phone (iOS 14 or greater required/ Android 12 or greater required) can be used as reader
- By using the Supra Digital Chips with third-party asset management application to achieve product traceability, manufacturer authentication and digitised product information
- Unique design of proprietary wafer-antenna chip construction



Functionality	
RF Protocol	ISO 15693
Operating Frequency	HF - 13.56 MHz
Memory Configuration	16 Character UID, 2000 bits User
R/W Capability	Read/Write
Performance	
Read Range	Maximum to 5mm (0.2")
Quality Guarantee	100 %
Orientation	Front Face Read
Physical	
Materials	Stainless Steel (Polish)
Mounting System	Universal Use
Operational	
Max Temperature Exposure	125°C/257°F
Min Temperature Exposure	-30°C/-22°F
Continuous Max Service Temperature	125°C/257°F
Continuous Min Service Temperature	-30°C/-22°F
Water and Ice Proof	Yes



(SUS304)



mm (inch)

weight: 21 g (0.74 oz.)



**NFC Enabled**



## SupraWireTag

Model No. RI-13287

### Application

Lifting sling.

### Main Features

- NFC enabled mobile device or smart phone (iOS 14 or greater required/ Android 12 or greater required) can be used as reader
- By using the Supra Digital Chips with third-party asset management application to achieve product traceability, manufacturer authentication and digitised product information
- Unique design of proprietary wafer-antenna chip construction



#### Functionality

RF Protocol	ISO 15693
Operating Frequency	HF - 13.56 MHz
Memory Configuration	16 Character UID, 2000 bits User
R/W Capability	Read/Write

#### Performance

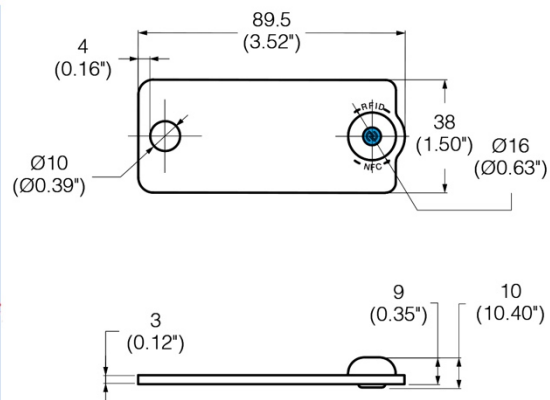
Read Range	Maximum to 5mm (0.2")
Quality Guarantee	100 %
Orientation	Front Face Read

#### Physical

Materials	Aluminium (Anodizing)
Mounting System	Universal Use

#### Operational

Max Temperature Exposure	125°C/257°F
Min Temperature Exposure	-30°C/-22°F
Continuous Max Service Temperature	125°C/257°F
Continuous Min Service Temperature	-30°C/-22°F
Water and Ice Proof	Yes



mm (inch)  
weight: 33g (1.16oz)



**NFC Enabled**

Home of the Tiger pneumatic hoisting, manual hoisting, clamping and winching ranges

## SupraChainTag

Model No. RI-13281

### Application

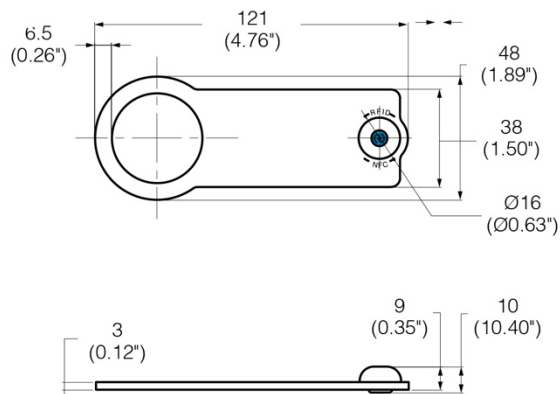
Lifting chain sling.

### Main Features

- NFC enabled mobile device or smart phone (iOS 14 or greater required/ Android 12 or greater required) can be used as reader
- By using the Supra Digital Chips with third-party asset management application to achieve product traceability, manufacturer authentication and digitised product information
- Unique design of proprietary wafer-antenna chip construction



Functionality	
RF Protocol	ISO 15693
Operating Frequency	HF - 13.56 MHz
Memory Configuration	16 Character UID, 2000 bits User
R/W Capability	Read/Write
Performance	
Read Range	Maximum to 5mm (0.2")
Quality Guarantee	100 %
Orientation	Front Face Read
Physical	
Materials	Aluminium (Anodizing)
Mounting System	Universal Use
Operational	
Max Temperature Exposure	125°C/257°F
Min Temperature Exposure	-30°C/-22°F
Continuous Max Service Temperature	125°C/257°F
Continuous Min Service Temperature	-30°C/-22°F
Water and Ice Proof	Yes



mm (inch)  
weight: 36.2g (1.28oz)



**NFC Enabled**

## SupraChainTag G80

Model No. RI-13285

### Application

Lifting chain sling.

### Main Features

- NFC enabled mobile device or smart phone (iOS 14 or greater required/ Android 12 or greater required) can be used as reader
- By using the Supra Digital Chips with third-party asset management application to achieve product traceability, manufacturer authentication and digitised product information
- Unique design of proprietary wafer-antenna chip construction



#### Functionality

RF Protocol	ISO 15693
Operating Frequency	HF - 13.56 MHz
Memory Configuration	16 Character UID, 2000 bits User
R/W Capability	Read/Write

#### Performance

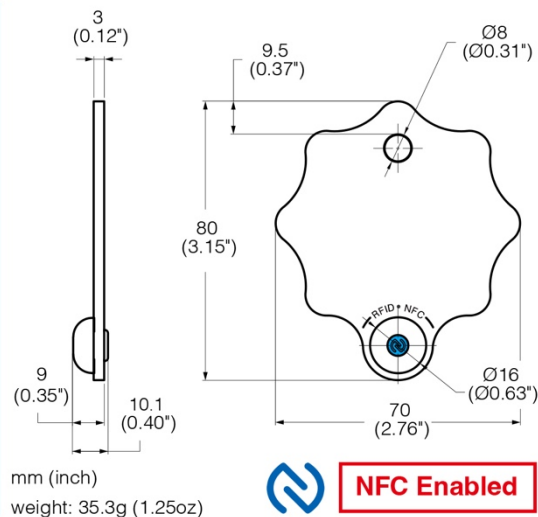
Read Range	Maximum to 5mm (0.2")
Quality Guarantee	100 %
Orientation	Front Face Read

#### Physical

Materials	Aluminium (Anodizing)
Mounting System	Universal Use

#### Operational

Max Temperature Exposure	125°C/257°F
Min Temperature Exposure	-30°C/-22°F
Continuous Max Service Temperature	125°C/257°F
Continuous Min Service Temperature	-30°C/-22°F
Water and Ice Proof	Yes



## SupraChainTag G100

Model No. RI-13288

### Application

Lifting chain sling.

### Main Features

- NFC enabled mobile device or smart phone (iOS 14 or greater required/ Android 12 or greater required) can be used as reader
- By using the Supra Digital Chips with third-party asset management application to achieve product traceability, manufacturer authentication and digitised product information
- Unique design of proprietary wafer-antenna chip construction



#### Functionality

RF Protocol	ISO 15693
Operating Frequency	HF - 13.56 MHz
Memory Configuration	16 Character UID, 2000 bits User
R/W Capability	Read/Write

#### Performance

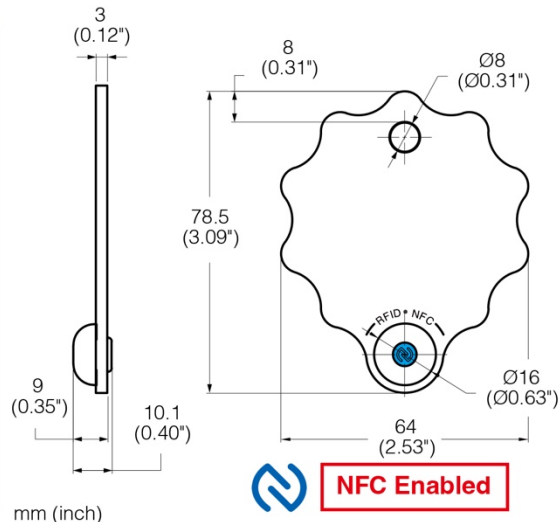
Read Range	Maximum to 5mm (0.2")
Quality Guarantee	100 %
Orientation	Front Face Read

#### Physical

Materials	Aluminium (Anodizing)
Mounting System	Universal Use

#### Operational

Max Temperature Exposure	125°C/257°F
Min Temperature Exposure	-30°C/-22°F
Continuous Max Service Temperature	125°C/257°F
Continuous Min Service Temperature	-30°C/-22°F
Water and Ice Proof	Yes



## SupraDATag

Model No. RI-13283

### Application

DNV 2.7-1 Lifting sling.

### Main Features

- NFC enabled mobile device or smart phone (iOS 14 or greater required/ Android 12 or greater required) can be used as reader
- By using the Supra Digital Chips with third-party asset management application to achieve product traceability, manufacturer authentication and digitised product information
- Unique design of proprietary wafer-antenna chip construction



#### Functionality

RF Protocol	ISO 15693
Operating Frequency	HF - 13.56 MHz
Memory Configuration	16 Character UID, 2000 bits User
R/W Capability	Read/Write

#### Performance

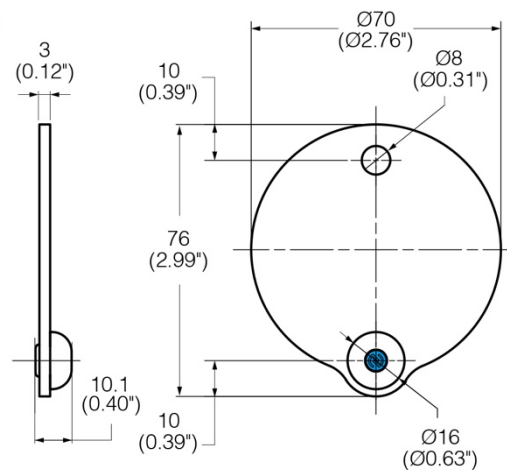
Read Range	Maximum to 5mm (0.2")
Quality Guarantee	100 %
Orientation	Front Face Read

#### Physical

Materials	Aluminium (Anodizing)
Mounting System	Universal Use

#### Operational

Max Temperature Exposure	125°C/257°F
Min Temperature Exposure	-30°C/-22°F
Continuous Max Service Temperature	125°C/257°F
Continuous Min Service Temperature	-30°C/-22°F
Water and Ice Proof	Yes



**NFC Enabled**