



Digital Key Eye Point - UNC Thread Model No. 8-292K

Main Features

- Rotates through 360° adjustable in the direction of the load
- Manufactured from alloy steel, quenched and tempered
- Tested in accordance with EN1677-1
- Load rated parts are 100 % magnaflux crack detected
- Individual forged parts and cap screw are traceable to Test Certification
- Bolts are UNC thread
- Proof tested to 2.5 times the WLL
- Fatigue rated to 20,000 cycles at 1.5 times the WLL
- All YOKE Lifting points meet or exceed all the requirements of ASME B30.26
- Quick and simple assembly, just a tapped hole is required



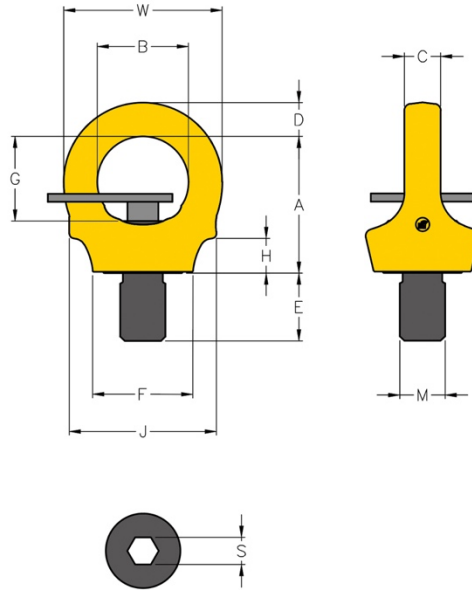
Certification:

Each unit comes fully certified with a test certificate or an EC Declaration of Conformity stating compliance with the essential health and safety requirements of the Machinery Directive 2006/42/EC, the Supply of Machinery (Safety) Regulations 2008 and Section 6 of the Health and Safety at Work Etc Act 1974.

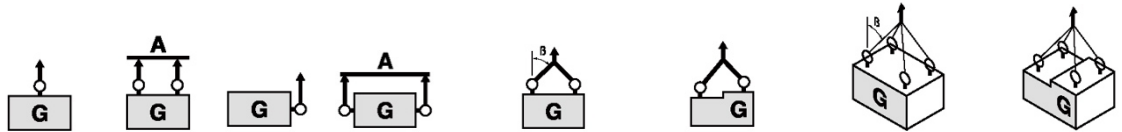
Manufactured and tested in accordance with EN1677-1. All YOKE Lifting points meet or exceed all the requirements of ASME B30.26.

Technical Data

Product Code	Capacity (tonne)	Thread version		Pitch	Dimensions (inch)											Torque in (Nm)	Net Weight (lbs)
		M (inch)	E (inch)		DIN13	A	B	C	D	F	G	H	J	S	W		
8-292K-003	0.30	5/16	0.47	18UNC	1.49	1.00	0.33	0.37	0.99	0.92	0.24	1.60	0.25	1.73	10	0.3	
8-292K-004	0.40	3/8	0.55	16UNC	1.49	1.00	0.33	0.37	0.99	0.92	0.24	1.60	0.25	1.73	10	0.3	
8-292K-007	0.75	1/2	0.75	13UNC	1.79	1.19	0.39	0.43	1.30	1.16	0.37	1.85	0.31	2.05	10	0.5	
8-292K-015	1.50	5/8	0.94	11UNC	2.06	1.39	0.55	0.51	1.38	1.32	0.45	2.20	0.37	2.40	30	0.9	
8-292K-023	2.30	3/4	1.14	10UNC	2.38	1.59	0.63	0.58	1.74	1.47	0.60	2.56	0.50	2.76	70	1.4	
8-292K-025	2.30	7/8	1.30	9UNC	2.38	1.59	0.63	0.58	1.74	1.47	0.60	2.56	0.50	2.76	70	1.4	
8-292K-032	3.20	1	1.52	8UNC	2.85	1.91	0.75	0.70	2.08	1.79	0.75	3.07	0.56	3.31	150	2.5	
8-292K-045	4.50	1 1/4	1.89	7UNC	3.57	2.38	0.94	0.88	2.43	2.23	0.91	3.75	0.63	4.13	350	4.7	
8-292K-070	7.00	1 1/2	2.24	6UNC	4.32	2.85	1.14	1.05	2.99	2.71	1.20	4.49	0.87	4.96	410	8.7	
8-292K-090	9.00	1 3/4	2.64	5UNC	5.02	3.26	1.34	1.26	3.51	3.09	1.50	5.20	1.00	5.79	550	12.7	
8-292K-120	12.00	2	3.03	4.5UNC	5.70	3.74	1.50	1.44	4.12	3.69	1.75	5.91	1.00	6.61	550	19.6	



Kind of attachment



Number of legs	1	2	1	2	2	2	2	3-4	3-4	3-4	
Load direction	0°	0°	90°	90°	0-45°	45°-60°	unsymm.	0-45°	45°-60°	unsymm.	
Product Code	Thread	WLL (t)									
8-292K-003	5/16	1	2	0.30	0.60	0.42	0.30	0.30	0.63	0.45	0.30
8-292K-004	3/8	1	2	0.40	0.80	0.56	0.40	0.40	0.84	0.60	0.40
8-292K-007	1/2	2	4	0.75	1.50	1.00	0.75	0.75	1.58	1.12	0.75
8-292K-015	5/8	4	8	1.50	3.00	2.10	1.50	1.50	3.15	2.25	1.50
8-292K-023	3/4	6	12	2.30	4.60	3.20	2.30	2.30	4.83	3.45	2.30
8-292K-025	7/8	6	12	2.30	4.60	3.20	2.30	2.30	4.83	3.45	2.30
8-292K-032	1	8	16	3.20	6.40	4.50	3.20	3.20	6.70	4.80	3.20
8-292K-045	1 1/4	12	24	4.50	9.00	6.30	4.50	4.50	9.40	6.70	4.50
8-292K-070	1 1/2	16	32	7.00	14.00	9.80	7.00	7.00	14.70	10.50	7.00
8-292K-090	1 3/4	24	48	9.00	18.00	12.60	9.00	9.00	18.90	13.50	9.00
8-292K-120	2	32	64	12.00	24.00	16.80	12.00	12.00	25.20	18.00	12.00

Due to our policy of continual product development, dimensions, weights and specifications may change without prior notice. Please check with your Tiger sales team when ordering.