

Tiger Spark Resistant Products



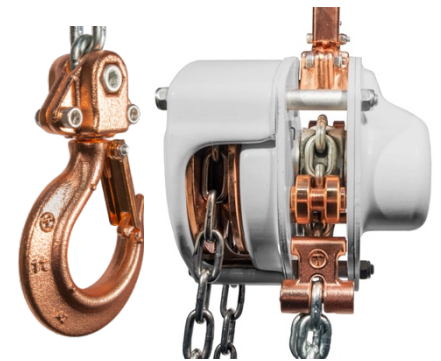
Main Features

- Category II – high safety - Certification: Ex II 2 GD c IIC T4 IIIC T135°C
- Manufactured in accordance with ATEX Directive 2014/34/EU and Machinery Directive 2006/42/EC
- Developed for the use in potentially explosive atmospheres (ATEX zones).
- We can supply chain blocks, lever hoists, beam clamps, trolleys and combination block and trolley units
- Special coated bodies
- Different capacities and heights of lift to suit your specific requirements
- Available with stainless steel load chain – any capacity over 1t deration will apply
- Our products are third party certified by CML, EU Notified Body (No 2503) for the European Union Directive 2014/34/EU (ATEX)

In many areas of industry, plants are operated with potentially explosive atmospheres. Due to the very high risk to personal and other assets, extremely strict guidelines and technical requirements are in place in explosive zones. Tiger Spark Resistant products are manufactured in accordance with ATEX Directive 2014/34/EU and the Machinery Directive 2006/42/EC. Our products are lightweight and durable with a proven track record. ATEX marking: Ex II 2 GD c IIC T4 IIIC T135°C. Suitable for gas and dust hazardous areas: Zone 1 & 2 (gas) and Zone 21 & 22 (dust).

Chain Blocks and Lever Hoists (using Tiger SS19 or SS20 units)

- Stainless steel hand chain (chain blocks)
- Corrosion protected load chain
- Special corrosion protected body
- Marine specific friction discs
- Brake chamber protection from outside contamination
- Copper plated suspension and load hooks, load chain guides, grip rings, hand wheels and end anchorage
- Stainless steel fixings and fasteners
- All Tiger lever hoist handles contain rubber which is free from phthalates



Optional

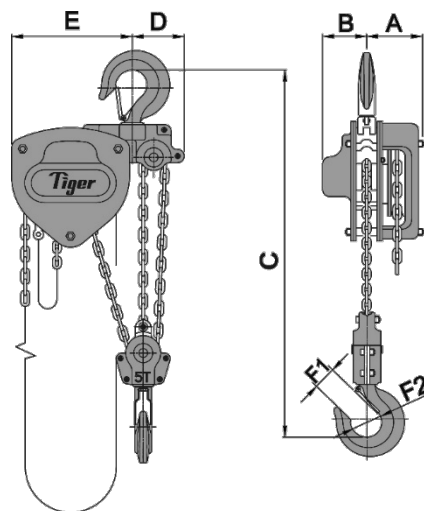
- Stainless steel load chain - any capacity over 1t deration will apply
- Overload protection device
- Chain container

Lever hoist also available using our PROLH unit and standard load chain



SS20 Technical Data

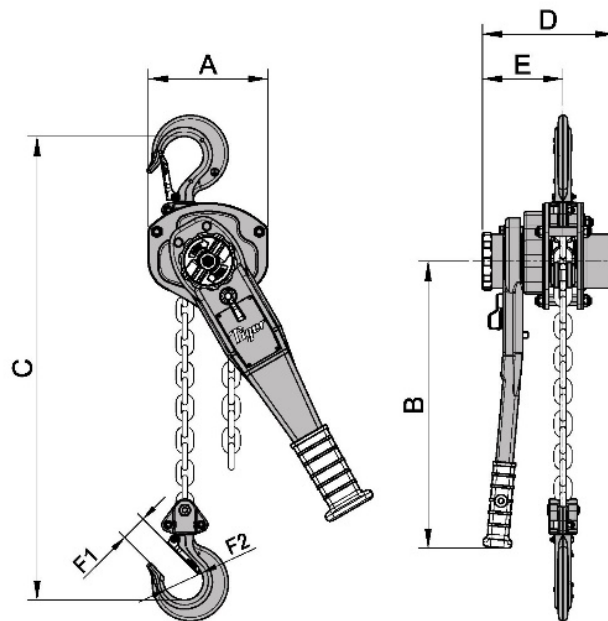
Product Code	Capacity (tonne)	Effort (kg)	Dimensions (mm)							Load Chain		Standard HOL (m)	Mass @ std HOL (kg)	Mass for extra metre HOL (kg)
			A	B	C	D	E	F1	F2	Diameter (mm)	No. of falls			
SCB-0050	0.5	21	93	66	305	52	78	24	38	∅6.3	1	3	10.5	1.9
SCB-0100	1.0	25	93	66	340	63	87	28	45	∅6.3	1	3	11.5	1.9
SCB-0150	1.5	32	98	73	385	78	102	34	51	∅7.1	1	3	16.0	2.1
SCB-0200	2.0	34	101	79	420	87	113	35	53	∅8.0	1	3	20.0	2.4
SCB-0300	3.0	38	109	84	500	98	157	36	56	∅10.0	1	3	30.5	3.2
SCB-0500	5.0	37	101	79	575	122	209	49	70	∅8.0	3	3	37.5	5.2
SCB-0600	6.0	38	109	84	635	86	220	49	70	∅10.0	2	3	45.5	5.3
SCB-0800	8.0	34	109	84	610	153	263	51	78	∅10.0	3	3	61.0	7.5
SCB-1000	10.0	40	109	84	660	153	263	54	87	∅10.0	3	3	64.0	7.5
SCB-1500	15.0	41	109	84	840	225	378	59	81	∅10.0	5	3	128.5	11.8
SCB-2000	20.0	43	161	90	1050	148	360	81	110	∅10.0	6	3	178.5	14.2
SCB-3000	30.0	42	220	220	1200	388	388	91	135	∅10.0	10	3	307.0	23.8



SS20

SS19 Technical Data

Product Code	Capacity (tonne)	Effort (kg)	Dimensions (mm)							Load Chain		Standard HOL (m)	Mass @ std HOL (kg)	Mass for extra metre HOL (kg)
			A	B	C	D	E	F1	F2	Diameter (mm)	No. of falls			
SS-0080	0.8	23	128	243	295	158	99	28	45	∅6.3	1	3	9.0	0.9
SS-0160	1.6	26	154	370	320	172	104	34	51	∅7.1	1	3	12.5	1.1
SS-0320	3.2	38	182	370	400	195	108	36	56	∅10.0	1	3	22.0	2.2
SS-0630	6.3	40	242	370	570	195	108	49	70	∅10.0	2	3	34.5	4.3
SS-0800	8.0	38	379	370	580	195	108	51	78	∅10.0	3	3	52.0	6.5
SS-1000	10.0	47	379	370	630	195	108	54	87	∅10.0	3	3	55.0	6.5
SS-1500	15.0	44	566	370	840	195	108	59	81	∅10.0	5	3	128.0	10.8
SS-2000	20.0	49	470	370	1050	250	160	81	110	∅10.0	6	3	174.0	13.1



SS19



Trolleys (using Tiger corrosion protected trolleys)

Plain or geared trolleys available

- Solid bronze trolley wheels
- Rubber buffers for trolleys
- Copper plated hand wheel (geared trolley) and hanging plate
- Special corrosion protected body
- Combination block and trolley units available
- **Optional** beam locking device
- Trolley wheels are powder coated universal wheels which suit both tapered and flat flange beams

Universal wheels

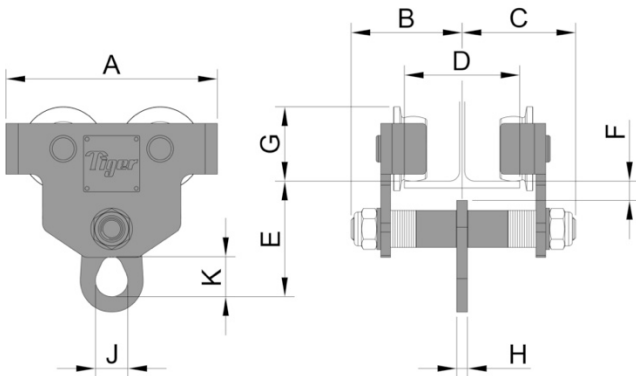


TP Technical Data - Plain Trolleys

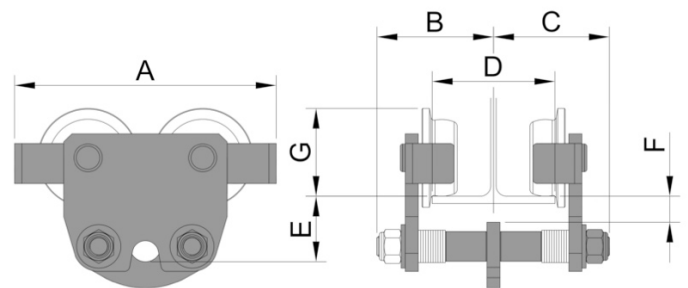
	Product Code	Capacity (tonne)	D - Track width #			Dimensions (mm)										Min. curve radius (m)	Net Weight (kg)
			Range 1 (mm)	Range 2 (mm)	Range 3 (mm)	A	A+	B	C	E	F	G	H	J	K		
Single Bar Trolleys	TPS-0050	0.5	62-128	62-203	140-310	195	235	106	106	98	20	64	10	24	30	0.8	5.0
	TPS-0100	1.0	62-128	62-203	142-310	213	253	113	113	106	20	71	10	27	34	1.0	7.5
	TPS-0200	2.0	88-154	88-230	194-310	236	284	136	136	132	25	80	13	38	45	1.3	12.0
	TPS-0300	3.0	87-153	87-230	193-310	275	323	146	146	150	25	97	13	42	53	1.5	19.5
	TPS-0500	5.0	106-194	106-310	-	323	371	169	169	174	30	117	16	46	59	1.5	30.5
Twin Bar Trolleys*	TPT-0300	3.0	87-153	87-230	189-310	320	368	142	142	82	30	110	-	-	-	1.5	22.0
	TPT-0500	5.0	106-194	106-310	-	352	400	167	166	91	30	131	-	-	-	1.5	35.5
	TPT-0600	6.0	106-194	-	-	352	400	167	166	91	32	131	-	-	-	1.5	37.5
	TPT-1000	10.0	125-320	-	-	-	394	243	243	210	40	117	-	-	-	1.5	68.0
	TPT-1500†	15.0	150-320	-	-	-	509	271	271	248	42†	182	-	-	-	2.7	144.0

Technical Data - with optional locking device

	Product Code	Capacity (tonne)	D - Track width #		Dimensions (mm)										Min. curve radius (m)	Net Weight (kg)
			Range 1 (mm)	Range 2 (mm)	A	A+	B	C	E	F	G	H	J	K		
Single Bar Trolleys	TPS-0050	0.5	62-128	62-203	195	235	106	106	98	20	64	10	24	30	0.8	5.0
	TPS-0100	1.0	62-128	62-203	213	253	113	113	106	20	71	10	27	34	1.0	7.5
	TPS-0200	2.0	88-154	88-230	236	284	136	136	132	25	80	13	38	45	1.3	12.0
	TPS-0300	3.0	87-153	87-230	275	323	146	146	150	25	97	13	42	53	1.5	19.5
	TPS-0500	5.0	106-194	106-310	323	371	169	169	174	30	117	16	46	59	1.5	30.5
Twin Bar Trolleys*	TPT-1000	10.0	125-320	-	-	394	243	243	210	40	117	-	-	-	1.5	68.0
	TPT-1500†	15.0	150-320	-	-	509	271	271	248	42†	182	-	-	-	2.7	144.0



Single bar



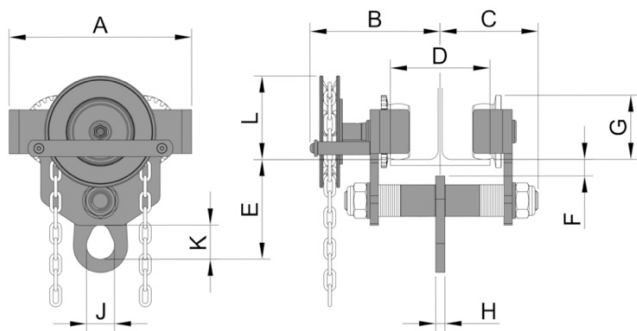
Twin bar

TG Technical Data - Geared Trolleys

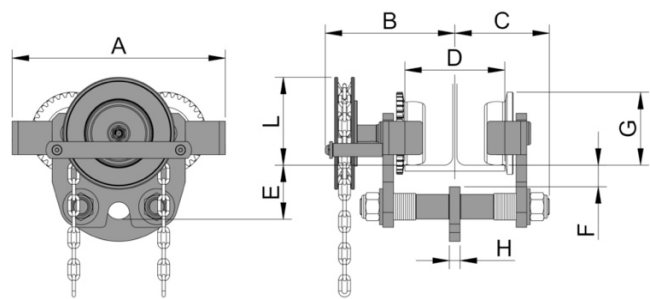
	Product Code	Capacity (tonne)	D - Track width #			Dimensions (mm)											Min. curve radius (m)	Net Weight (kg)
			Range 1 (mm)	Range 2 (mm)	Range 3 (mm)	A	A+	B	C	E	F	G	H	J	K	L		
Single Bar Trolleys	TGS-0050	0.5	62-128	62-203	140-310	195	235	180	106	98	20	64	10	24	30	79	0.8	9.0
	TGS-0100	1.0	62-128	62-203	142-310	213	253	180	113	106	20	71	10	28	34	82	1.0	11.0
	TGS-0200	2.0	88-154	88-230	194-310	236	284	195	136	132	25	80	12	38	45	94	1.3	16.5
	TGS-0300	3.0	87-153	87-230	193-310	275	323	198	146	150	25	97	13	42	52	126	1.5	24.5
	TGS-0500	5.0	106-194	106-305	-	323	371	216	169	174	30	117	16	46	60	137	1.5	35.5
Twin Bar Trolleys*	TGT-0300	3.0	87-153	87-230	189-310	320	368	194	142	82	30	110	16	-	-	132	1.5	23.5
	TGT-0500	5.0	106-194	106-305	-	352	400	216	166	91	30	131	19	-	-	143	1.5	40.0
	TGT-0600	6.0	106-194	-	-	352	400	216	166	91	32	131	19	-	-	156	1.5	42.0
	TGT-1000	10.0	125-320	-	-	-	394	282	243	210	40	117	19	70	90	119	1.5	78.0
	TGT-1500‡	15.0	150-320	-	-	-	509	338	271	248	42‡	182	22	75	100	35	2.7	161.0
	TGT-2000‡	20.0	125-320	-	-	-	754	282	243	231	40‡	117	30	85	95	119	6.0	160.0
	TGT-3000‡	30.0	150-320	-	-	-	1009	335	274	288	42‡	182	35	100	115	35	6.0	337.0
TGT-3500‡	35.0	150-320	-	-	-	1009	335	274	288	42‡	182	38	100	115	35	6.0	341.0	

Technical Data – with optional locking device

	Product Code	Capacity (tonne)	D - Track width #		Dimensions (mm)											Min. curve radius (m)	Net Weight (kg)
			Range 1 (mm)	Range 2 (mm)	A	A+	B	C	E	F	G	H	J	K	L		
Single Bar Trolleys	TGS-0050	0.5	95-128	95-203	195	235	180	106	98	20	64	10	24	30	79	0.8	9.0
	TGS-0100	1.0	100-128	62-203	213	253	180	113	106	20	71	10	28	34	82	1.0	11.0
	TGS-0200	2.0	110-154	110-230	236	284	195	136	132	25	80	12	38	45	94	1.3	16.5
	TGS-0300	3.0	90-153	90-230	275	323	198	146	150	25	97	13	42	52	126	1.5	24.5
	TGS-0500	5.0	106-194	106-305	323	371	216	169	174	30	117	16	46	60	137	1.5	35.5
Twin Bar Trolleys*	TGT-1000	10.0	180-320	-	-	394	282	243	210	40	117	-	-	-	119	1.5	78.0
	TGT-1500‡	15.0	150-320	-	-	509	338	271	248	42‡	182	-	-	-	174	2.7	161.0
	TGT-2000‡	20.0	190-320	-	-	754	282	243	231	40‡	117	30	85	95	119	6.0	160.0
TGT-3000‡	30.0	155-320	-	-	1009	335	274	288	42‡	182	35	100	115	174	6.0	337.0	



Single bar



Twin bar

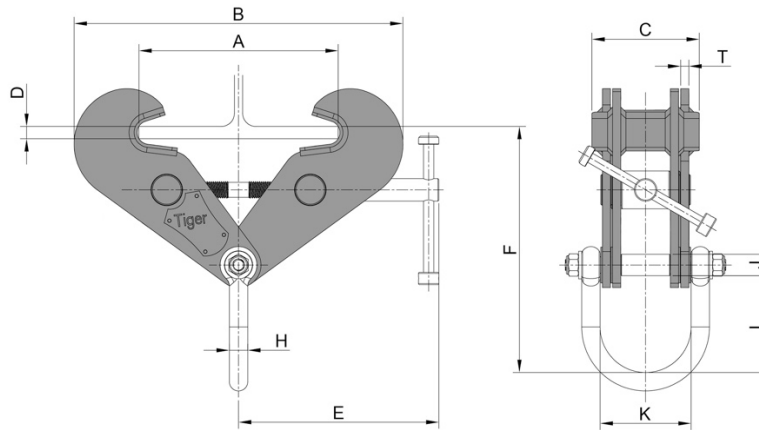
Beam Clamps

- Copper plated suspension shackle and adjusting bar
- Special corrosion protected body
- **Optional** beam locking device



BCF Technical Data

Product Code	Capacity (tonne)	Dimensions (mm)											Net Weight (kg)	
		A	B	C	D	E	F	H	J	K	L	M		T
BCF-0100	1.0	75-195	206-330	105	20	195	257-230	16	21	80	84		6	5.5
BCF-0200	2.0	75-195	206-330	105	20	195	268-242	18	21	88	95		8	6.5
BCF-0300	3.0	100-350	223-488	140	25	270	364-297	22	27	110	105		10	12.0
BCF-030S	3.0	75-190	216-333	140	20	195	267-237	22	27	110	105		10	9.5
BCF-0500	5.0	100-310	223-450	140	25	288	370-320	27	27	124	111		12	14.5
BCF-050S	5.0	75-190	216-333	140	20	195	272-243	27	27	124	111		12	11.0
BCF-0600	6.0	203-457	411-691	140	42	370	486-418	27	27	124	111		12	29.9
BCF-1000	10.0	120-350	282-527	210	30	316	400-338	32	37	83	120		16	26.5
BCF-100W	10.0	203-457	415-694	210	42	370	500-430	32	37	83	120		16	44.2
BCF-1500	15.0	203-457	463-731	250	36	416	556-496	38	43.5	99	146	400	20	76.0
BCF-2000	20.0	203-457	471-768	300	50	416	603-540	45	49	126	179	408	24	100.0
BCF-3000	30.0	203-457	500-800	385	63	416	635-572	50	57	138	197	416	38	152.0



BCF

Certification:

Under the ATEX Directive, equipment for areas with an explosion hazard is assigned to groups, categories and temperature classes. Our products are assigned as follows:

Ex II 2 GD c IIC T4 IIIC T135°C

II	2	GD	c	IIC	T4	IIIC	T135°C	
							T135°C	Dust Temperature Class: Maximum external surface temperature 135°C
							IIIC	Groups of Dust: Protected for group IIIC which includes groups IIIA & IIIB
							T4	Gas Temperature Class: Maximum external surface temperature 135°C
							IIC	Gas Explosion Group: Protected for group IIC which includes groups IIA & IIB
							c	Protection type: Design safety
							GD	Ex Atmosphere: Gas and Dust
							2	Category: High Safety
							II	Equipment Group: surface industries

Our products are third party certified by CML, EU Notified Body (No 2503) for the European Union Directive 2014/34/EU (ATEX).

It is the responsibility of the user to identify which explosion proof classification is required, not the hoist manufacturer or supplier.

See the separate technical sheets for the standard (non-ATEX) versions of the products for weights and more product features.

Due to our policy of continual product development, dimensions, weights and specifications may change without prior notice. Please check with your Tiger sales team when ordering.

Bespoke designs available on request – contact info@tigerlifting.com for more information.