

Tiger Adjustable Trolley Plain Trolley – APT, Geared Trolley – AGT

Smaller minimum curve ratios may be available – contact us for details



Main Features

- Range from 1.0t to 10.0t
- Fitted with a screw spindle which allows lockable adjustment to the various flange sizes within its capacity
- The anti-drop plates design ensures extra safety and prevents damage to wheels when contacting end rail stoppers
- Wheels run on sealed bearings for smoother rolling with less effort and maintenance
- Powder coated universal wheels suit both tapered and flat flange beams
- Locking device with high clamping force
- Operating temperature of -40°C to +80°C (temperature range of -60°C to +80°C available as an option)
- The 5:1 factor of safety allows for use with manual or powered hoists

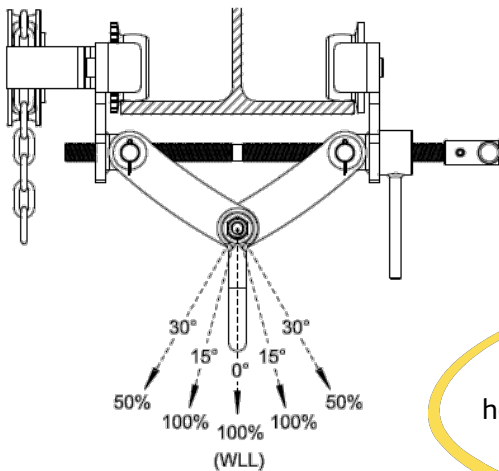
Our high quality, heavy-duty, easy to adjust trolleys allow you to suspend a lifting appliance or load and easily transport it along the length of a beam.

These units meet and exceed all the requirements within BS EN 13157: 2004+A1:2009 and AS1418.2.

Certification:

Each unit comes fully certified with a test certificate or an EC Declaration of Conformity stating compliance with the essential health and safety requirements of the Machinery Directive 2006/42/EC.

Derations to apply for using at angles away from the vertical:



If you need a wider beam range or have specific headroom requirements please contact us for bespoke solutions

Our innovation, your safety



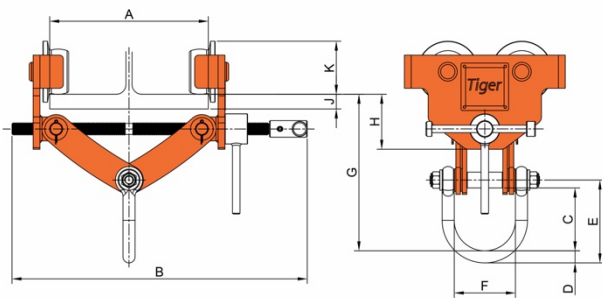
Universal wheels



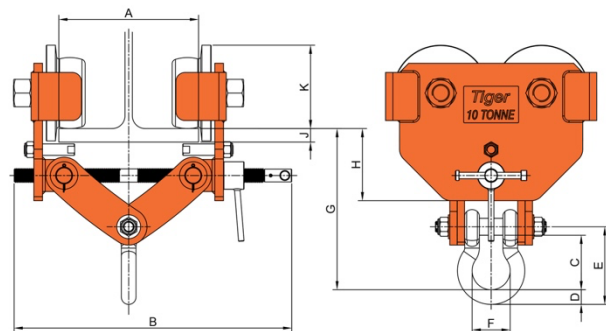
Technical Data Plain/Push Trolley

Product Code	Capacity (tonne)	Track width range (mm)	Dimensions (mm)									Min. curve radius (m)	Net Weight (kg)
			A	B	C	D	E	F	G	H	J		
APT-0100	1.0	75-210	391	83	16	110	81	255-208	73	25	71	1.0	9.5
APT-0200	2.0	75-210	391	94	18	123	89	276-227	79	35	80	1.3	13.5
APT-0300	3.0	75-210	403	105	22	141	112	288-241	99	32	97	1.5	23.0
APT-0600	6.0	105-305	521	111	27	151	125	358-290	115	42	117	1.5	35.5
APT-1000	10.0	160-305	606	119	32	170	83	407-352	157	30	182	2.7	110.0

F is the maximum beam flange thickness.



1.0t-6.0t Adjustable Plain Trolley (APT)



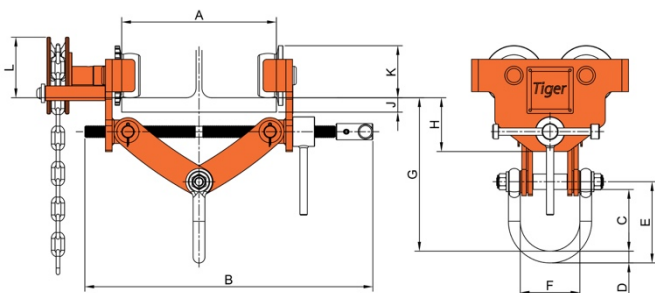
10t Adjustable Plain Trolley (APT)

Geared Trolley

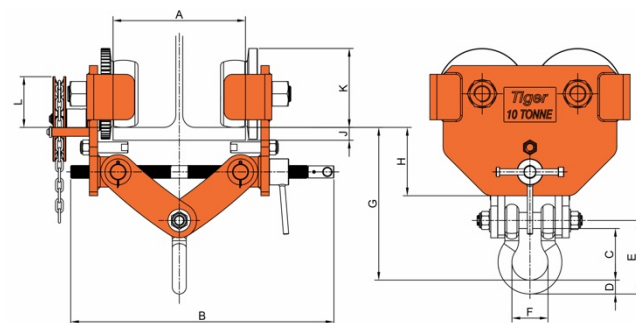
Product Code	Capacity (tonne)	Track width range (mm)	Dimensions (mm)										Min. curve radius (m)	Net Weight (kg)
			A	B	C	D	E	F	G	H	J	K		
AGT-0100	1.0	75-210	391	83	16	110	81	255-208	73	25	71	82	1.0	13.0
AGT-0200	2.0	75-210	391	94	18	123	89	276-227	79	35	80	94	1.3	17.0
AGT-0300	3.0	75-210	403	105	22	141	112	288-241	99	32	97	126	1.5	28.5
AGT-0600	6.0	105-305	521	111	27	151	125	358-290	115	42	117	137	1.5	40.0
AGT-1000	10.0	160-305	606	119	32	170	83	407-352	157	30	182	117	2.7	120.0

Standard geared trolley hand chain length - 2.5m. We can change the length to suit your requirements.

F is the maximum beam flange thickness.



1.0t-6.0t Adjustable Geared Trolley (AGT)



10t Adjustable Geared Trolley (AGT)

Due to our policy of continual product development, dimensions, weights and specifications may change without prior notice. Please check with your Tiger sales team when ordering.



www.tigerlifting.com

Our innovation, your safety.

Bespoke designs available on request – contact info@tigerlifting.com for more information.