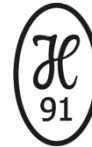
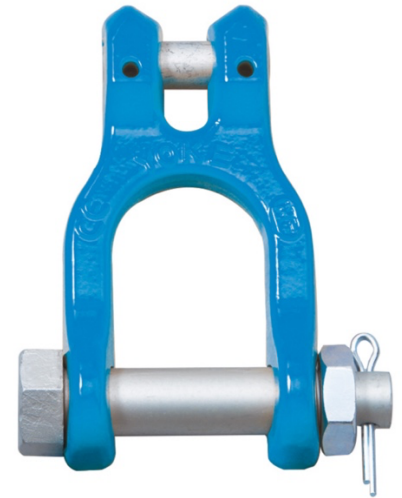




G100 Clevis Shackle Model No. X-066

Main Features

- Quenched and Tempered Alloy Steel
- At least 25 % greater WLL than traditional G80 products
- Manufactured in accordance with EN 1677- 1 and ASME B30.26
- Proof Load tested at 2.5 times the WLL with certification for each batch manufactured
- Design Factor 4:1
- Fatigue rated to 20,000 cycles at 1.5 times the WLL
- Tempering temperature minimum 400°C
- Magnaflux crack detection is performed 100 % on each batch



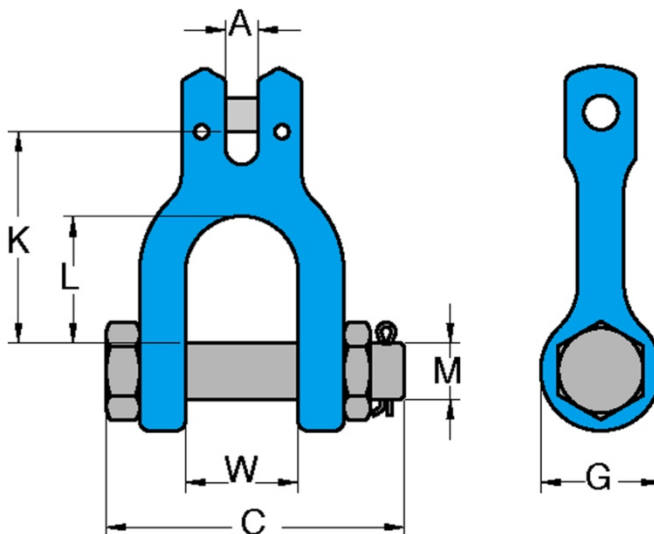
Certification:

Each unit comes fully certified with a test certificate or an EC Declaration of Conformity stating compliance with the essential health and safety requirements of the Machinery Directive 2006/42/EC, the Supply of Machinery (Safety) Regulations 2008 and Section 6 of the Health and Safety at Work Etc Act 1974.

Manufactured and tested in accordance with EN1677-1. All YOKE Lifting points meet or exceed all the requirements of ASME B30.26.

Technical Data

Product Code	Capacity (tonnes)	For Grade 100 Chain (mm)	Dimensions (mm)							Net Weight (kg)
			A	C	G	K	L	M	W	
X-066-07	2.5	7,8	10	81	34	60	36	16	32	0.4
X-066-10	4.0	10	12	94	40	78	48	20	34	0.8
X-066-13	6.7	13	15	121	44	98	64	22	50	1.4
X-066-16	10.0	16	18	140	55	112	67	28	60	2.4



Due to our policy of continual product development, dimensions, weights and specifications may change without prior notice. Please check with your Tiger sales team when ordering.

Our innovation, your safety