

Digital Key Eye Point - Metric Thread Model No. 8-291K



Main Features

- Rotates through 360° adjustable in the direction of the load
- Manufactured from alloy steel, quenched and tempered
- Tested in accordance with EN1677-1
- Certified by DGUV GS-OA 15-04
- Load rated parts are 100 % magnaflux crack detected
- Individual forged parts and cap screw are traceable to Test Certification
- Bolts are Metric thread
- Proof tested to 2.5 times the WLL
- Fatigue rated to 20,000 cycles at 1.5 times the WLL
- All YOKE Lifting points meet or exceed all the requirements of ASME B30.26
- Quick and simple assembly, just a tapped hole is required



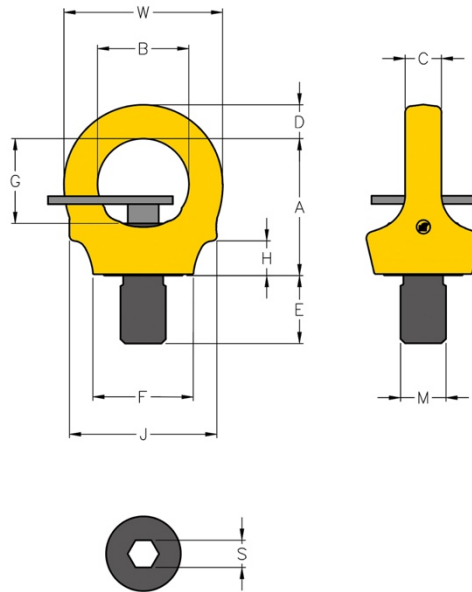
Certification:

Each unit comes fully certified with a test certificate or an EC Declaration of Conformity stating compliance with the essential health and safety requirements of the Machinery Directive 2006/42/EC, the Supply of Machinery (Safety) Regulations 2008 and Section 6 of the Health and Safety at Work Etc Act 1974.

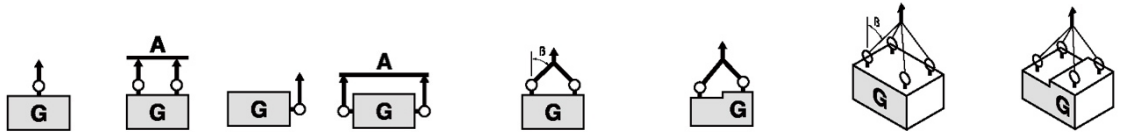
Manufactured and tested in accordance with EN1677-1. All YOKE Lifting points meet or exceed all the requirements of ASME B30.26.

Technical Data

Product Code	Capacity (tonne)	Thread version		Pitch DIN13	Dimensions (mm)										Torque in (Nm)	Net Weight (kg)
		M (mm)	E (mm)		A	B	C	D	F	G	H	J	S	W		
8-291K-001	0.10	M6	9	1.00	30	20	7	7	23	19	4	33	6	34	5	0.1
8-291K-003	0.30	M8	12	1.25	38	25	9	9	25	24	6	41	6	44	10	0.1
8-291K-004	0.40	M10	15	1.50	38	25	9	9	25	24	6	41	6	44	10	0.1
8-291K-007	0.75	M12	18	1.75	45	30	10	11	33	30	9	47	8	52	10	0.2
8-291K-015	1.50	M16	24	2.00	52	35	14	13	35	34	11	56	10	61	30	0.4
8-291K-023	2.30	M20	30	2.50	60	40	16	15	44	37	15	65	12	70	70	0.6
8-291K-032	3.20	M24	36	3.00	72	49	19	18	53	47	19	78	14	84	150	1.1
8-291K-045	4.50	M30	45	3.50	91	61	24	22	62	59	23	95	17	105	350	2.1
8-291K-070	7.00	M36	54	4.00	110	73	29	27	76	72	31	114	22	126	410	3.7
8-291K-090	9.00	M42	63	4.50	128	83	34	32	89	81	38	132	24	147	550	5.8
8-291K-120	12.00	M48	72	5.00	145	95	38	37	105	94	44	150	27	168	550	8.6
8-291K-140	16.00	M56	84	5.50	148	102	40	43	124	92	49	166	27	178	800	11.0
8-291K-150	18.00	M64	96	6.00	148	102	40	43	124	92	49	166	27	178	800	11.8



Kind of attachment



Number of legs	1	2	1	2	2	2	2	3-4	3-4	3-4	
Load direction	0°	0°	90°	90°	0-45°	45°-60°	unsymm.	0-45°	45°-60°	unsymm.	
Product Code	Thread	WLL (t)									
8-291K-001	M6	0.5	1	0.10	0.2	0.14	0.10	0.10	0.21	0.15	0.10
8-291K-003	M8	1	2	0.30	0.6	0.42	0.30	0.30	0.63	0.45	0.30
8-291K-004	M10	1	2	0.40	0.8	0.56	0.40	0.40	0.84	0.60	0.40
8-291K-007	M12	2	4	0.75	1.5	1.00	0.75	0.75	1.58	1.12	0.75
8-291K-015	M16	4	8	1.50	3.0	2.10	1.50	1.50	3.15	2.25	1.50
8-291K-023	M20	6	12	2.30	4.6	3.20	2.30	2.30	4.83	3.45	2.30
8-291K-032	M24	8	16	3.20	6.4	4.50	3.20	3.20	6.70	4.80	3.20
8-291K-045	M30	12	24	4.50	9.0	6.30	4.50	4.50	9.40	6.70	4.50
8-291K-070	M36	16	32	7.00	14.0	9.80	7.00	7.00	14.70	10.50	7.00
8-291K-090	M42	24	48	9.00	18.0	12.60	9.00	9.00	18.90	13.50	9.00
8-291K-120	M48	32	64	12.00	24.0	16.80	12.00	12.00	25.20	18.00	12.00
8-291K-140	M56	34	68	16.00	32.0	22.40	16.00	16.00	33.60	24.00	16.00
8-291K-150	M64	36	72	18.00	36.0	25.20	18.00	18.00	37.80	27.00	18.00

Due to our policy of continual product development, dimensions, weights and specifications may change without prior notice. Please check with your Tiger sales team when ordering.