

Digital Key Eye Point - Metric Thread

Model No. 8-291K



Main Features

- Rotates through 360° adjustable in the direction of the load
- Manufactured from alloy steel, quenched and tempered
- Tested in accordance with EN1677-1
- Certified by DGUV GS-OA 15-04
- Load rated parts are 100 % magnaflux crack detected
- Individual forged parts and cap screw are traceable to Test Certification
- Bolts are Metric thread
- Proof tested to 2.5 times the WLL
- Fatigue rated to 20,000 cycles at 1.5 times the WLL
- All YOKE Lifting points meet or exceed all the requirements of ASME B30.26
- Quick and simple assembly, just a tapped hole is required



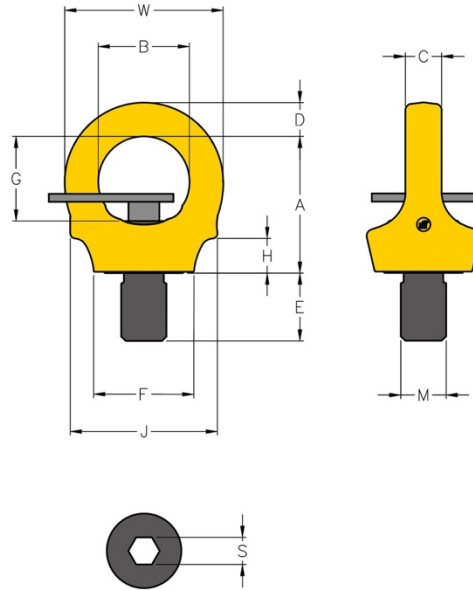
Certification:

Each unit comes fully certified with a test certificate or an EC Declaration of Conformity stating compliance with the essential health and safety requirements of the Machinery Directive 2006/42/EC, the Supply of Machinery (Safety) Regulations 2008 and Section 6 of the Health and Safety at Work Etc Act 1974.

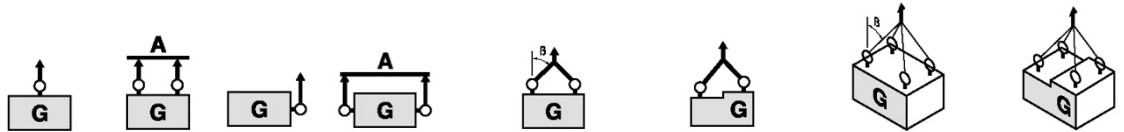
Manufactured and tested in accordance with EN1677-1. All YOKE Lifting points meet or exceed all the requirements of ASME B30.26.

Technical Data

| Product Code | Capacity (tonne) | Thread version | | Pitch DIN13 | Dimensions (mm) | | | | | | | | | | Torque in (Nm) | Net Weight (kg) |
|--------------|------------------|----------------|--------|----------------|-----------------|-----|----|----|-----|----|----|-----|----|-----|----------------|-----------------|
| | | M (mm) | E (mm) | | A | B | C | D | F | G | H | J | S | W | | |
| 8-291K-001 | 0.10 | M6 | 9 | 1.00 | 30 | 20 | 7 | 7 | 23 | 19 | 4 | 33 | 6 | 34 | 5 | 0.1 |
| 8-291K-003 | 0.30 | M8 | 12 | 1.25 | 38 | 25 | 9 | 9 | 25 | 24 | 6 | 41 | 6 | 44 | 10 | 0.1 |
| 8-291K-004 | 0.40 | M10 | 15 | 1.50 | 38 | 25 | 9 | 9 | 25 | 24 | 6 | 41 | 6 | 44 | 10 | 0.1 |
| 8-291K-007 | 0.75 | M12 | 18 | 1.75 | 45 | 30 | 10 | 11 | 33 | 30 | 9 | 47 | 8 | 52 | 10 | 0.2 |
| 8-291K-015 | 1.50 | M16 | 24 | 2.00 | 52 | 35 | 14 | 13 | 35 | 34 | 11 | 56 | 10 | 61 | 30 | 0.4 |
| 8-291K-023 | 2.30 | M20 | 30 | 2.50 | 60 | 40 | 16 | 15 | 44 | 37 | 15 | 65 | 12 | 70 | 70 | 0.6 |
| 8-291K-032 | 3.20 | M24 | 36 | 3.00 | 72 | 49 | 19 | 18 | 53 | 47 | 19 | 78 | 14 | 84 | 150 | 1.1 |
| 8-291K-045 | 4.50 | M30 | 45 | 3.50 | 91 | 61 | 24 | 22 | 62 | 59 | 23 | 95 | 17 | 105 | 350 | 2.1 |
| 8-291K-070 | 7.00 | M36 | 54 | 4.00 | 110 | 73 | 29 | 27 | 76 | 72 | 31 | 114 | 22 | 126 | 410 | 3.7 |
| 8-291K-090 | 9.00 | M42 | 63 | 4.50 | 128 | 83 | 34 | 32 | 89 | 81 | 38 | 132 | 24 | 147 | 550 | 5.8 |
| 8-291K-120 | 12.00 | M48 | 72 | 5.00 | 145 | 95 | 38 | 37 | 105 | 94 | 44 | 150 | 27 | 168 | 550 | 8.6 |
| 8-291K-140 | 16.00 | M56 | 84 | 5.50 | 148 | 102 | 40 | 43 | 124 | 92 | 49 | 166 | 27 | 178 | 800 | 11.0 |
| 8-291K-150 | 18.00 | M64 | 96 | 6.00 | 148 | 102 | 40 | 43 | 124 | 92 | 49 | 166 | 27 | 178 | 800 | 11.8 |



Kind of attachment



| Number of legs | 1 | 2 | 1 | 2 | 2 | 2 | 2 | 3-4 | 3-4 | 3-4 | |
|----------------|--------|---------|-----|-------|-------|---------|---------|-------|---------|---------|-------|
| Load direction | 0° | 0° | 90° | 90° | 0-45° | 45°-60° | unsymm. | 0-45° | 45°-60° | unsymm. | |
| Product Code | Thread | WLL (t) | | | | | | | | | |
| 8-291K-001 | M6 | 0.5 | 1 | 0.10 | 0.2 | 0.14 | 0.10 | 0.10 | 0.21 | 0.15 | 0.10 |
| 8-291K-003 | M8 | 1 | 2 | 0.30 | 0.6 | 0.42 | 0.30 | 0.30 | 0.63 | 0.45 | 0.30 |
| 8-291K-004 | M10 | 1 | 2 | 0.40 | 0.8 | 0.56 | 0.40 | 0.40 | 0.84 | 0.60 | 0.40 |
| 8-291K-007 | M12 | 2 | 4 | 0.75 | 1.5 | 1.00 | 0.75 | 0.75 | 1.58 | 1.12 | 0.75 |
| 8-291K-015 | M16 | 4 | 8 | 1.50 | 3.0 | 2.10 | 1.50 | 1.50 | 3.15 | 2.25 | 1.50 |
| 8-291K-023 | M20 | 6 | 12 | 2.30 | 4.6 | 3.20 | 2.30 | 2.30 | 4.83 | 3.45 | 2.30 |
| 8-291K-032 | M24 | 8 | 16 | 3.20 | 6.4 | 4.50 | 3.20 | 3.20 | 6.70 | 4.80 | 3.20 |
| 8-291K-045 | M30 | 12 | 24 | 4.50 | 9.0 | 6.30 | 4.50 | 4.50 | 9.40 | 6.70 | 4.50 |
| 8-291K-070 | M36 | 16 | 32 | 7.00 | 14.0 | 9.80 | 7.00 | 7.00 | 14.70 | 10.50 | 7.00 |
| 8-291K-090 | M42 | 24 | 48 | 9.00 | 18.0 | 12.60 | 9.00 | 9.00 | 18.90 | 13.50 | 9.00 |
| 8-291K-120 | M48 | 32 | 64 | 12.00 | 24.0 | 16.80 | 12.00 | 12.00 | 25.20 | 18.00 | 12.00 |
| 8-291K-140 | M56 | 34 | 68 | 16.00 | 32.0 | 22.40 | 16.00 | 16.00 | 33.60 | 24.00 | 16.00 |
| 8-291K-150 | M64 | 36 | 72 | 18.00 | 36.0 | 25.20 | 18.00 | 18.00 | 37.80 | 27.00 | 18.00 |

Due to our policy of continual product development, dimensions, weights and specifications may change without prior notice. Please check with your Tiger sales team when ordering.