

## Digital Anchor Point - Metric Thread Model No. 8-231



### Main Features

- Rotates through 360° and pivot 180°, and simultaneously allows lifting from any direction
- Manufactured from forged alloy steel, quenched and tempered
- Tested in accordance with EN1677-1
- Load rated parts are 100 % magnaflux crack detected
- Individual forged parts and cap screw are traceable to Test Certification
- Bolts are Metric thread (ASME / ANSI B18.3.1M)
- Proof tested to 2.5 times the WLL
- Fatigue rated to 20,000 cycles at 1.5 times the WLL
- All YOKE Lifting points meet or exceed all the requirements of ASME B30.26
- Quick and simple assembly, just a tapped hole is required



### Certification:

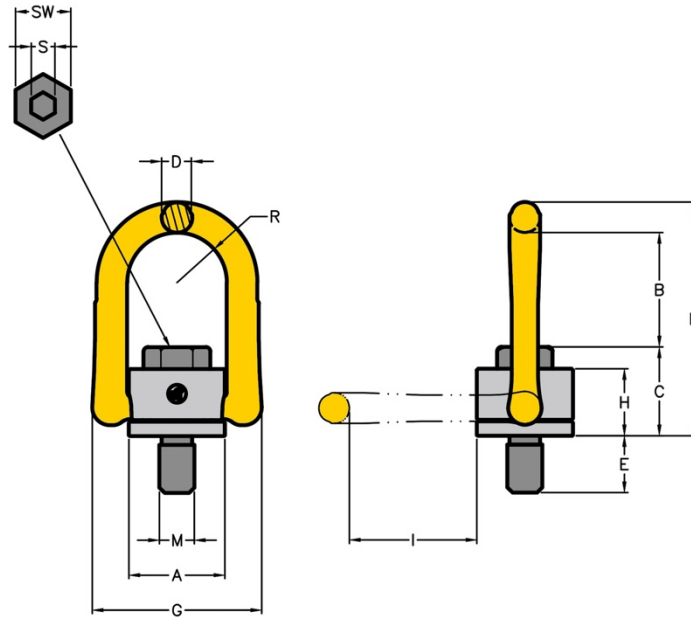
Each unit comes fully certified with a test certificate or an EC Declaration of Conformity stating compliance with the essential health and safety requirements of the Machinery Directive 2006/42/EC, the Supply of Machinery (Safety) Regulations 2008 and Section 6 of the Health and Safety at Work Etc Act 1974.

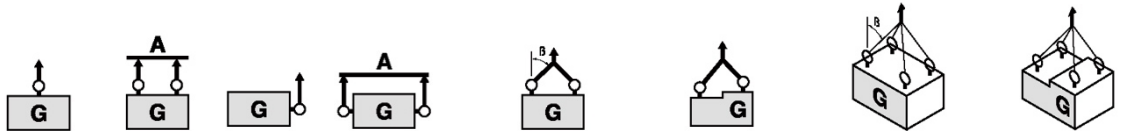
Manufactured and tested in accordance with EN1677-1. All YOKE Lifting points meet or exceed all the requirements of ASME B30.26.

### Technical Data

Product Code	Capacity (tonne)	Thread version		Pitch	Dimensions (mm)											Torque in (Nm)	Net Weight (kg)
		M (mm)	E (mm)		DIN13	A	B	C	D	F	G	H	R	S	SW		
8-231-005	0.5	M8	13	1.25	33	42	28	11	80	58	23	17	6	13	44	30	0.2
8-231-007	0.7	M10	16	1.50	33	41	29	11	80	58	23	17	6	17	44	60	0.3
8-231-010	1.0	M12	20	1.75	33	39	31	11	80	58	23	17	8	19	44	100	0.3
8-231-015	1.5	M14	21	2.00	51	56	45	17	116	90	36	27	10	22	63	120	0.9
8-231-020	2.0	M16	24	2.00	50	54	46	17	116	90	36	27	10	24	63	150	0.9
8-231-025	2.5	M18	26	2.50	65	77	57	20	155	108	36	34	10	30	86	200	1.9
8-231-030	3.0	M20	34	2.50	51	52	49	17	116	90	37	27	12	30	63	250	1.1
8-231-050	5.0	M24	36	3.00	72	81	59	25	163	125	45	37	14	36	88	400	2.7
8-231-056	5.6	M27	38	3.00	87	96	79	30	204	148	62	46	17	41	110	400	4.9
8-231-078	7.8	M30	48	3.50	87	94	81	30	204	148	62	46	17	46	110	500	5.1
8-231-125	12.5	M36	56	4.00	109	112	98	36	248	188	75	57	22	55	128	1000	10.2
8-231-156	15.6	M42	64	4.50	110	101	108	36	248	188	82	57	24	65	128	1500	10.6
8-231-200	20.0	M48	73	5.00	110	97	112	36	248	188	82	57	27	75	128	2000	12.0
8-231-220	22.0	M56	85	5.50	123	116	121	36	274	202	91	64	27	85	145	2100	14.3
8-231-225	22.5	M64	100	6.00	123	111	126	36	274	202	91	64	32	95	146	2200	16.6

Other sizes available - please ask for details.



Kind of attachment											
	1	2	1	2	2	2	2	3-4	3-4	3-4	
Number of legs	1	2	1	2	2	2	2	3-4	3-4	3-4	
Load direction	0°	0°	90°	90°	0-45°	45°-60°	unsymm.	0-45°	45°-60°	unsymm.	
Product Code											
Thread											
WLL (t)											
8-231-005	M8	0.8	1.6	0.5	1.0	0.7	0.5	0.5	1.10	0.80	0.5
8-231-007	M10	1.2	2.4	0.7	1.4	1.0	0.7	0.7	1.50	1.10	0.7
8-231-010	M12	1.5	3.0	1.0	2.0	1.4	1.0	1.0	2.10	1.50	1.0
8-231-015	M14	2.4	4.8	1.5	3.0	2.1	1.5	1.5	3.20	2.30	1.5
8-231-020	M16	3.2	6.4	2.0	4.0	2.8	2.0	2.0	4.20	3.00	2.0
8-231-025	M18	5.0	10.0	2.5	5.0	3.5	2.5	2.5	5.30	3.80	2.5
8-231-030	M20	4.5	9.0	3.0	6.0	4.2	3.0	3.0	6.30	4.50	3.0
8-231-050	M24	9.0	18.0	5.0	10.0	7.0	5.0	5.0	10.50	7.50	5.0
8-231-056	M27	9.5	19.0	5.6	11.2	7.8	5.6	5.6	11.80	8.40	5.6
8-231-078	M30	12.0	24.0	7.8	15.6	10.9	7.8	7.8	16.40	11.70	7.8
8-231-125	M36	14.0	28.0	12.5	25.0	17.5	12.5	12.5	26.30	18.80	12.5
8-231-156	M42	16.0	32.0	15.6	31.2	21.8	15.6	15.6	32.80	23.40	15.6
8-231-200	M48	20.0	40.0	20.0	40.0	28.0	20.0	20.0	42.00	30.00	20.0
8-231-220	M56	22.0	44.0	22.0	44.0	30.8	22.0	22.0	46.20	33.0	22.0
8-231-225	M64	22.5	45.0	22.5	45.0	31.5	22.5	22.5	47.25	33.75	22.5

Due to our policy of continual product development, dimensions, weights and specifications may change without prior notice. Please check with your Tiger sales team when ordering.