

Digital Lifting Point - Metric Thread Model No. 8-211



Main Features

- Rotates through 360° and pivots 90°
- Manufactured from alloy steel, quenched and tempered
- Tested in accordance with EN1677-1
- Certified by DGUV GS-OA 15-04
- Load rated parts are 100 % magnaflux crack detected
- Individual forged parts and cap screw are traceable to Test Certification
- Bolts are Metric thread
- Proof tested to 2.5 times the WLL
- Fatigue rated to 20,000 cycles at 1.5 times the WLL
- All YOKE Lifting points meet or exceed all the requirements of ASME B30.26
- Quick and simple assembly, just a tapped hole is required

Certification:

Each unit comes fully certified with a test certificate or an EC Declaration of Conformity stating compliance with the essential health and safety requirements of the Machinery Directive 2006/42/EC, the Supply of Machinery (Safety) Regulations 2008 and Section 6 of the Health and Safety at Work Etc Act 1974.

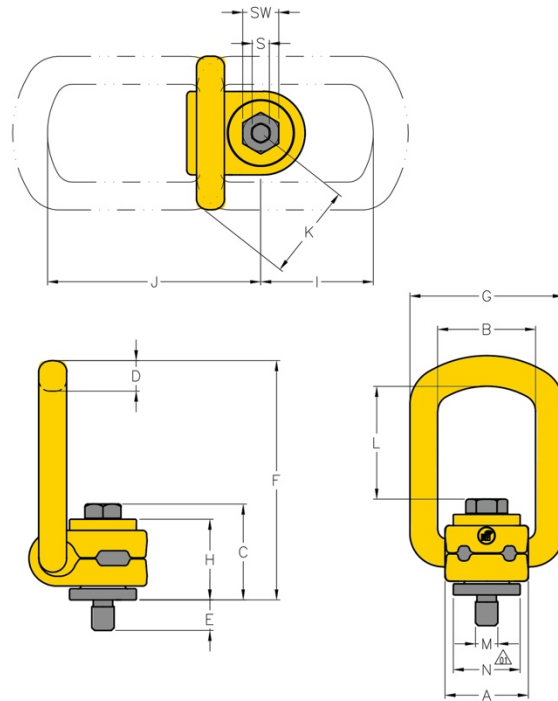
Manufactured and tested in accordance with EN1677-1. All YOKE Lifting points meet or exceed all the requirements of ASME B30.26.



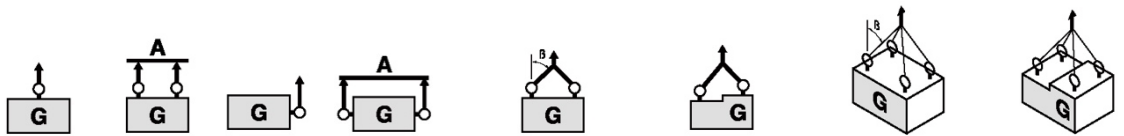
Technical Data

Product Code	Capacity (tonne)	Thread version		Pitch DIN13	Dimensions (mm)														Torque in (Nm)	Net Weight (kg)
		M (mm)	E (mm)		A	B	C	D	F	G	H	S	SW	I	J	K	L	N		
8-211-003	0.30	M8	11	1.25	30	35	35	11	86	55	29	6	13	41	77	34	41	24	30	0.3
8-211-006	0.63	M10	16	1.50	30	35	36	11	86	55	29	6	17	42	78	34	40	24	60	0.4
8-211-010	1.00	M12	18	1.75	33	38	44	14	99	57	36	8	19	44	89	38	42	31	100	0.5
8-211-012	1.20	M14	21	2.00	33	38	45	14	99	57	36	10	22	45	89	38	40	31	120	0.5
8-211-015	1.50	M16	24	2.00	33	38	46	14	99	57	36	10	24	45	89	38	40	31	150	0.6
8-211-020	2.00	M18	26	2.50	50	54	57	16	143	82	44	12	30	74	132	52	70	45	200	1.3
8-211-025	2.50	M20	31	2.50	50	54	56	16	142	82	43	12	30	74	132	53	70	49	250	1.6
8-211-040	4.00	M24	36	3.00	50	54	59	16	143	82	44	14	36	74	132	53	67	45	400	1.9
8-211-042	4.00	M27	38	3.00	60	65	79	23	171	99	62	17	41	81	152	64	69	59	400	2.9
8-211-050	5.00	M30	49	3.50	60	65	81	23	170	99	62	17	46	80	153	64	67	59	500	3.1
8-211-070	7.00	M36	56	4.00	60	65	75	23	171	99	58	22	55	80	153	64	74	59	700	3.1
8-211-080	8.00	M36	62	4.00	77	85	101	27	225	124	78	22	55	112	205	80	97	69	800	5.9
8-211-100	10.00	M42	72	4.50	77	85	104	27	225	124	78	24	65	113	204	79	94	69	1000	6.3
8-211-150	15.00	M42	64	4.50	95	104	112	36	258	158	86	24	65	127	229	98	110	98	1500	10.9
8-211-200	20.00	M48	73	5.00	95	104	120	36	260	158	90	27	75	126	230	99	104	98	2000	12.1

Other sizes available - please ask for details.



Kind of attachment



Number of legs	1	2	1	2	2	2	2	2	3-4	3-4	3-4
Load direction	0°	0°	90°	90°	0-45°	45°-60°	unsymm.	0-45°	45°-60°	unsymm.	
Product Code	Thread	WLL (t)									
8-211-003	M8	0.30	0.60	0.30	0.60	0.42	0.30	0.30	0.63	0.45	0.30
8-211-006	M10	0.63	1.26	0.63	1.26	0.88	0.63	0.63	1.32	0.95	0.63
8-211-010	M12	1.00	2.00	1.00	2.00	1.40	1.00	1.00	2.10	1.50	1.00
8-211-012	M14	1.20	2.40	1.20	2.40	1.68	1.20	1.20	2.52	1.80	1.20
8-211-015	M16	1.50	3.00	1.50	3.00	2.10	1.50	1.50	3.15	2.25	1.50
8-211-020	M18	2.00	4.00	2.00	4.00	2.80	2.00	2.00	4.20	3.00	2.00
8-211-025	M20	2.50	5.00	2.50	5.00	3.50	2.50	2.50	5.25	3.75	2.50
8-211-040	M24	4.00	8.00	4.00	8.00	5.60	4.00	4.00	8.40	6.00	4.00
8-211-042	M27	4.00	8.00	4.00	8.00	5.60	4.00	4.00	8.40	6.00	4.00
8-211-050	M30	5.00	10.00	5.00	10.00	7.00	5.00	5.00	10.50	7.50	5.00
8-211-070	M36	7.00	14.00	7.00	14.00	9.80	7.00	7.00	14.70	10.50	7.00
8-211-080	M36	8.00	16.00	8.00	16.00	11.20	8.00	8.00	16.80	12.00	8.00
8-211-100	M42	10.00	20.00	10.00	20.00	14.00	10.00	10.00	21.00	15.00	10.00
8-211-150	M42	15.00	30.00	15.00	30.00	21.00	15.00	15.00	31.50	22.50	15.00
8-211-200	M48	20.00	40.00	20.00	40.00	28.00	20.00	20.00	42.00	30.00	20.00

Due to our policy of continual product development, dimensions, weights and specifications may change without prior notice. Please check with your Tiger sales team when ordering.