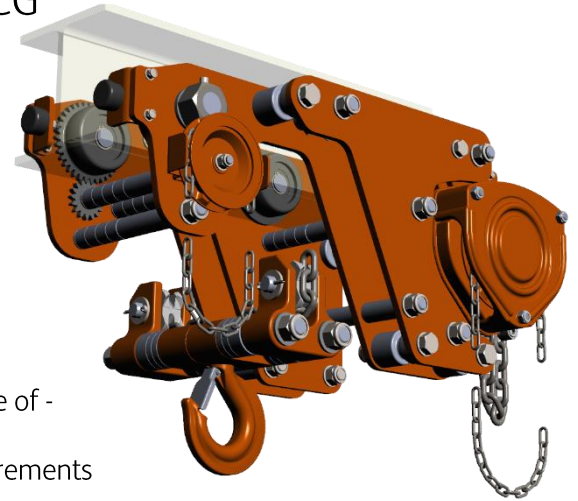


Tiger Ultra-Low Headroom Combination Chain Block & Trolley Model No. ULHCG



Smaller minimum curve ratios may be available – contact us for details



Main Features

- Ultra low headroom
- Range from 1.0t to 12.0t
- Ideal for locations where headroom is limited
- Operating temperature of -40°C to +80°C (temperature range of -60°C to +80°C available as an option)
- Can be chained to any height of lift to meet your exact requirements
- Chain carrier available
- Corrosion or spark resistant versions available
- These units meet and exceed all the requirements within BS EN 13157: 2004+A1:2009 and AS1418.2.

Certification:

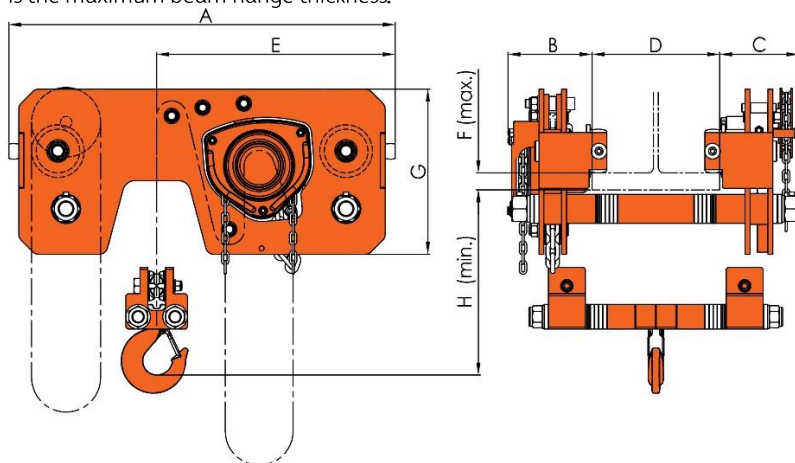
Each unit comes fully certified with a test certificate or an EC Declaration of Conformity stating compliance with the essential health and safety requirements of the Machinery Directive 2006/42/EC.

Technical Data

Product Code	Capacity (tonne)	Dimensions (mm)							Load Chain	
		A	B	C	E	F (max)	G	H (min)	Diameter (mm)	No. of falls
ULHCG-0100	1.0	585	166	159	365	26	240	115	6.3	2
ULHCG-0200	2.0	680	169	159	420	31	270	136	6.3	2
ULHCG-0300	3.0	798	183	172	484	36	300	155	7.1	2
ULHCG-0600	6.0	938	204	199	579	41	400	199	10	2
ULHCG-0800	8.0	1028	194	230	644	45	360	220	8	4
ULHCG-1200	12.0	1128	227	231	727	45	420	250	10	4

The beam width D is customised to customer requirements. Please contact us for more information.

F is the maximum beam flange thickness.



Bespoke designs available on request – an example of a recent 30t ultra low headroom design with load shackle is shown above.

Contact info@tigerlifting.com for more information.

Due to our policy of continual product development, dimensions, weights and specifications may change without prior notice. Please check with your Tiger sales team when ordering.

Our innovation, your safety