

## Tiger Hand Winch Model No. HW



### General Purpose Hand Winch HW-2000 (can be ceiling mounted)

- 2000lb/900kg capacity
- Available in regular or split reel, which allows for operation of two line or cables for greater versatility
- Available in handle or loop drive models
- Can be ceiling mounted with loop drive



### General Purpose Hand Winch HW-1200

- 1200lb/545kg capacity
- Ability to disengage the gear to allow fast pay out of the cable

### General Purpose Hand Winch HW-0600

- 600lb/270kg capacity
- Ability to disengage the gear to allow fast pay out of the cable

Operating temperature -40°C to +80°C (temperature range of -60°C to +80°C available as an option)

#### Certification:

Each unit comes fully certified with a test certificate or an EC Declaration of Conformity stating compliance with the essential health and safety requirements of the Machinery Directive 2006/42/EC.

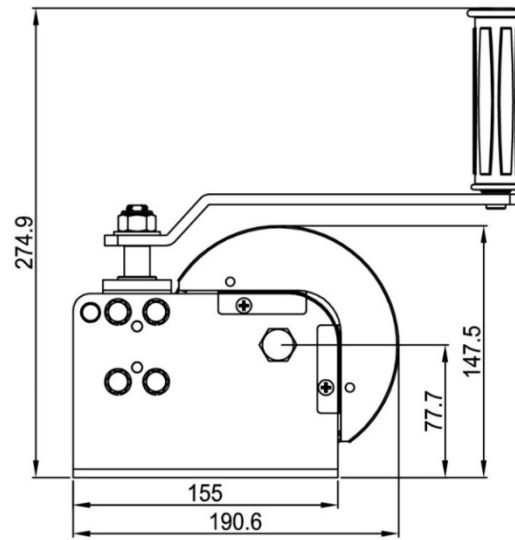
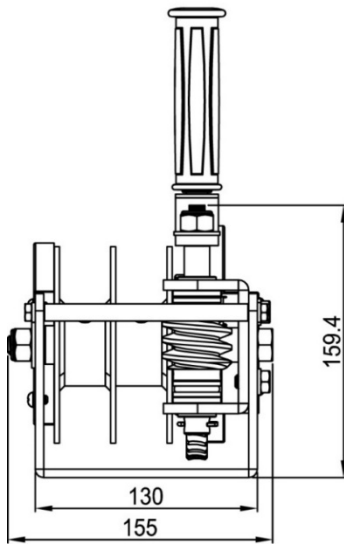
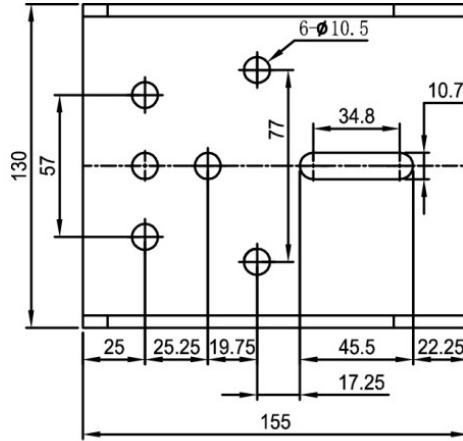
#### Technical Data

Product Code	Split Reel	Pulling Capacity (lbs/kg)	Hand Force Required (kg)	Gear Ratio	Hub Diameter (mm)	Handle Length (mm)	Unit Weight (with handle) (kg)	Unit Weight (with loop) (kg)	Cable Diameter (mm/inch)	Cable Storage Cap. (m)
HW-0600		600/270	7.0	3.1:1	ø19	175	2.2	--	ø4.0/ø5/32	28
HW-1200		1200/545	20.0	4.1:1	ø50	210	2.8	--	ø4.8/ø3/16	29
HW-2000-S	Yes	2000/900	4.5	41:1	ø48	190	5.7	5.4	ø4.8/ø3/16	8.8 per side
HW-2000		2000/900	2.25	41:1	ø48	190	5.5	5.2	ø4.8/ø3/16	17.6

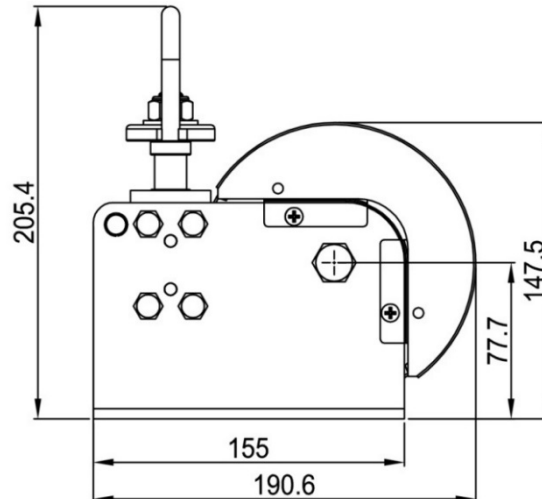
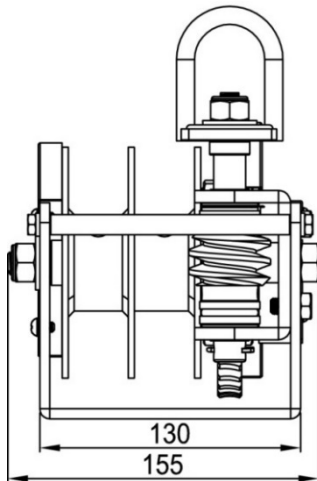
For winches with split reels, each side has half the capacity.

Technical Drawings

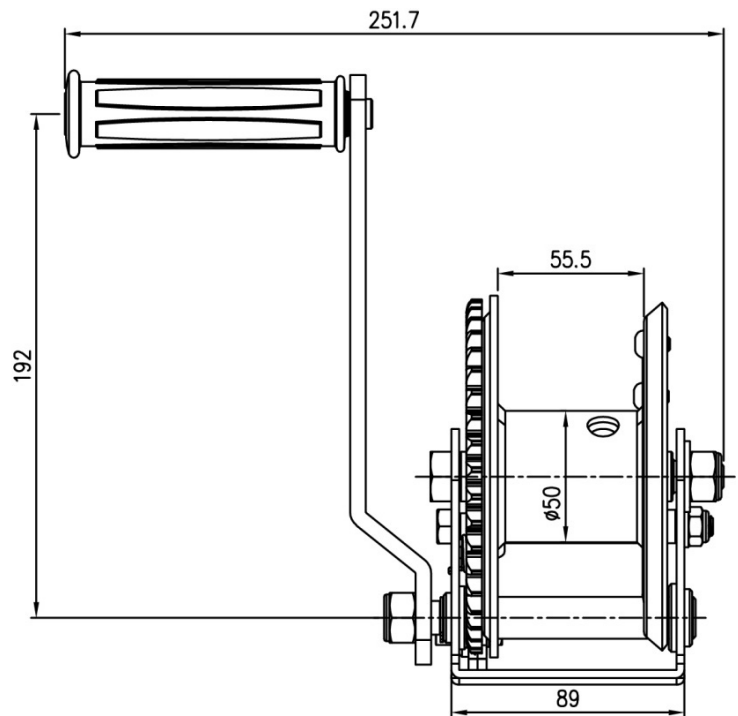
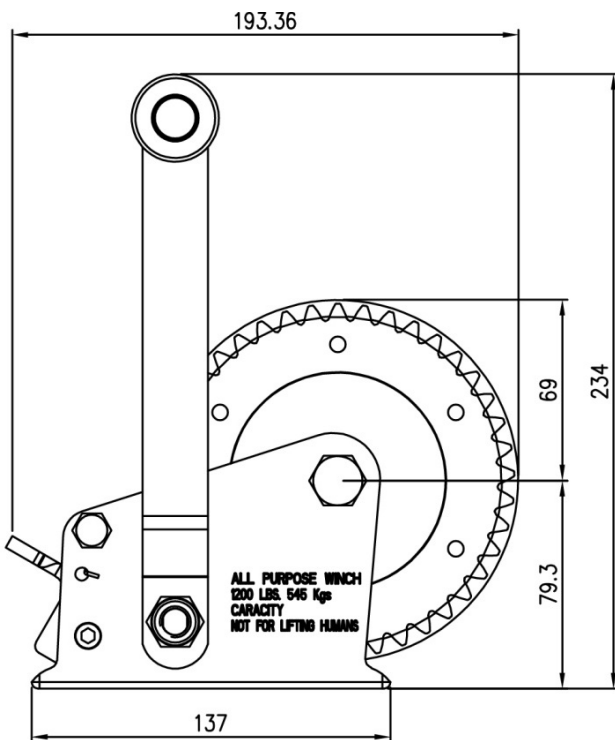
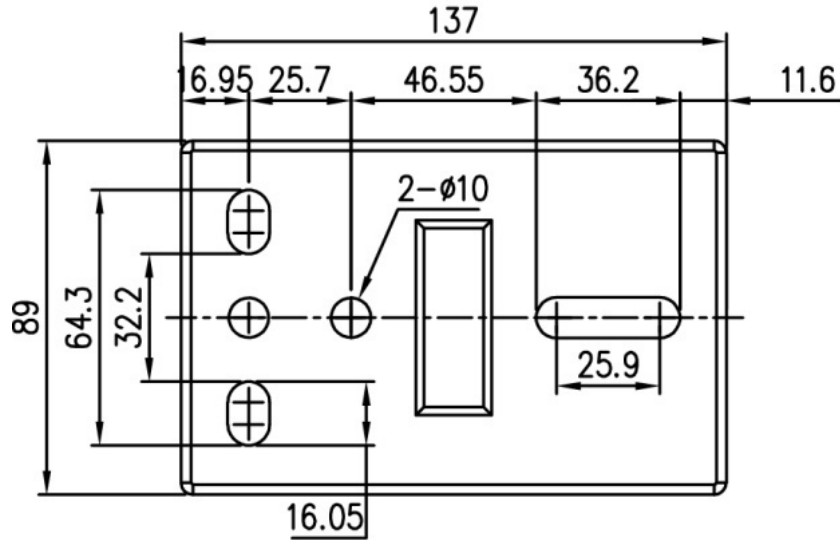
HW-2000



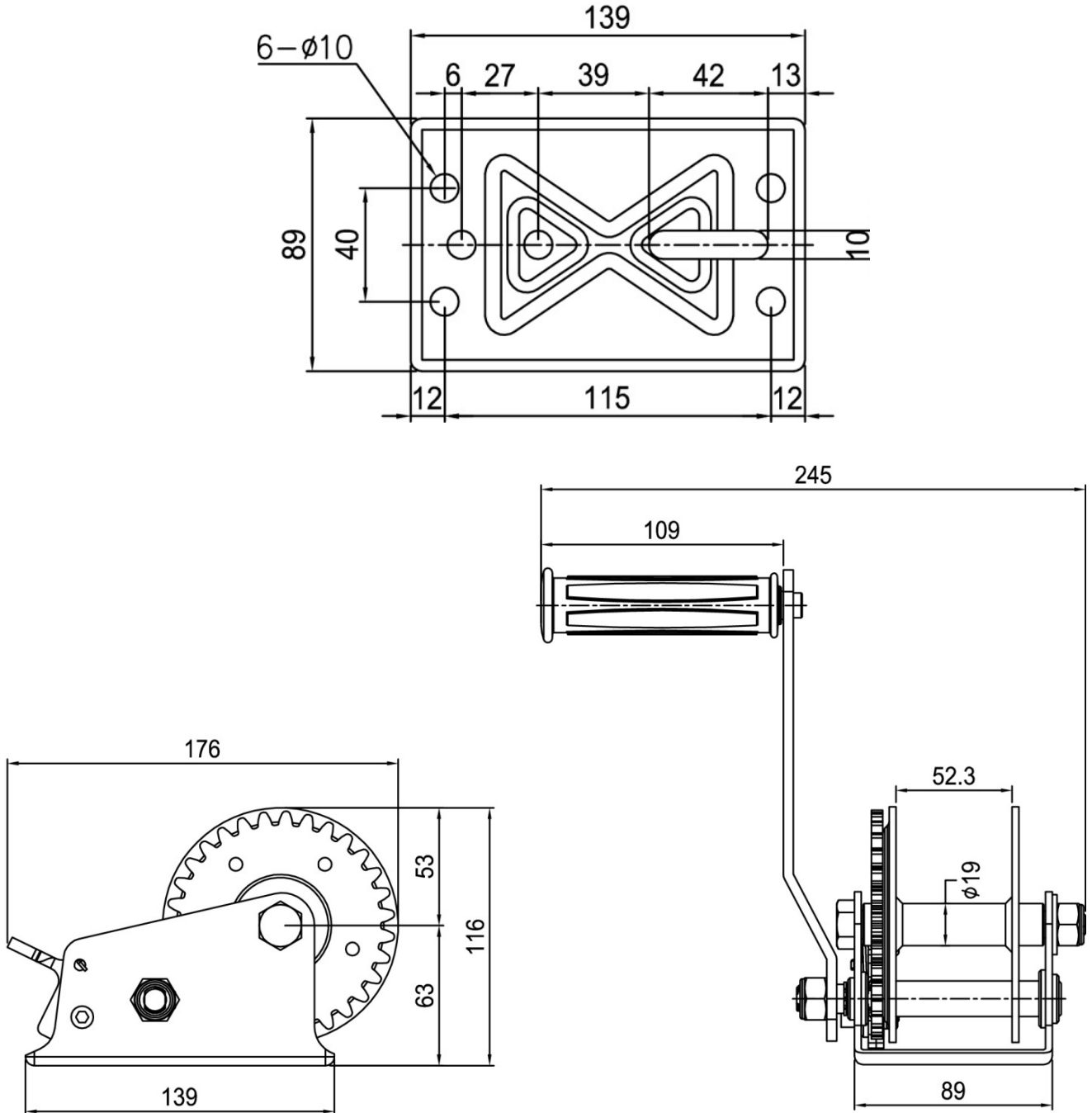
HW-2000 (with handle)



HW-2000 (with loop)  
HW-1200



HW-0600



Due to our policy of continual product development, dimensions, weights and specifications may change without prior notice. Please check with your Tiger sales team when ordering.

Bespoke designs available on request – contact [info@tigerlifting.com](mailto:info@tigerlifting.com) for more information.