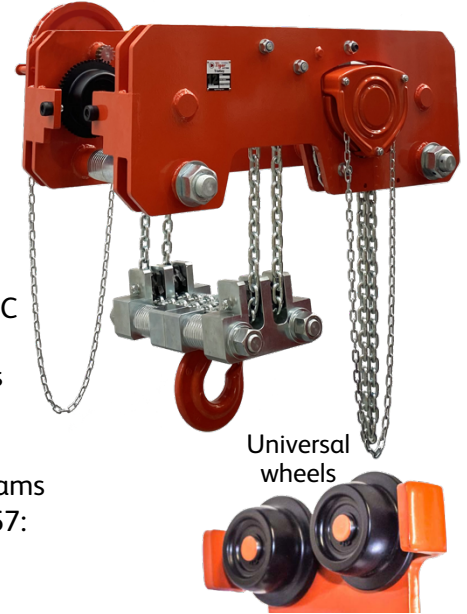


Tiger Ultra-Low Headroom Combination Chain Block & Trolley Model No. ULHCG



Main Features

- Ultra low headroom
- Range from 1.0t to 12.0t
- Ideal for locations where headroom is limited
- Operating temperature of -40°C to +80°C (temperature range of -60°C to +80°C available as an option)
- Can be chained to any height of lift to meet your exact requirements
- Chain carrier available
- Corrosion or spark resistant versions available
- Powder coated universal wheels suit both tapered and flat flange beams
- These units meet and exceed all the requirements within BS EN 13157: 2004+A1:2009 and AS1418.2.



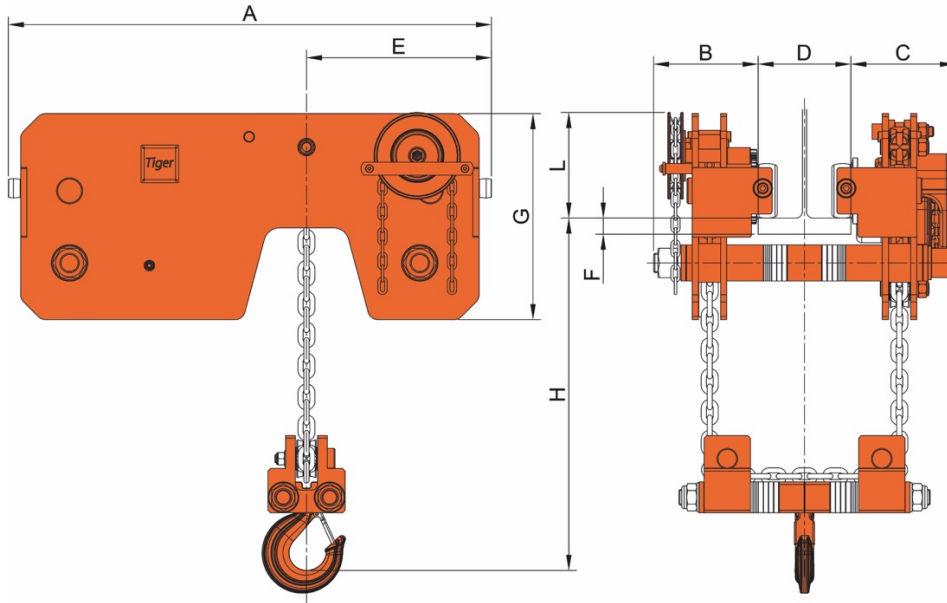
Certification:

Each unit comes fully certified with a test certificate or an EC Declaration of Conformity stating compliance with the essential health and safety requirements of the Machinery Directive 2006/42/EC.

Technical Data

Product Code	Capacity (tonne)	D-Track width			Dimensions (mm)								Min. Curve Radius (m)	Net Weight (kg) @ std. HOL Range 1/ Range 2	Weight for extra metre HOL (kg)	Load Chain	
		Range 1 (mm)	Range 2 (mm)	Fixed Range	A	B	C	E	F	G	H	L				Diameter (mm)	No. of falls
ULHCG-0100	1.0	62-180	180-310	62-310	585	161	168	220	26	240	141	126	4	70/73	2.6	6.3	2
ULHCG-0200	2.0	74-180	180-310	74-310	680	161	168	260	31	270	167	140	5	106/114	2.6	6.3	2
ULHCG-0300	3.0	80-180	180-310	80-310	798	175	184	314	36	300	191	178	5	155/158	3.1	7.1	2
ULHCG-0600	6.0	96-180	180-310	96-310	938	205	205	359	41	400	241	205	8	259/273	5.3	10	2
ULHCG-0800	8.0	145-310	-	145-310	1028	230	203	384	31	360	265	317	6	387	6.6	8	4
ULHCG-1200	12.0	145-310	-	145-310	1128	231	219	438	45	420	295	349	8	519	9.6	10	4
ULHCG-1600	16.00	-	-	180-310	1194	235	211	734	45	420	360	268	8	528	14.0	10	6

The beam width D is customised to customer requirements. Please contact us for more information. F is the maximum beam flange thickness.



Bespoke designs available on request – an example of a recent 30t ultra low headroom design with load shackle is shown above.

Contact info@tigerlifting.com for more information.

Due to our policy of continual product development, dimensions, weights and specifications may change without prior notice. Please check with your Tiger sales team when ordering.