

Tiger Ultra-Low Headroom Combination Chain Block & Trolley Model No. ULHCG



Smaller minimum curve ratios may be available – contact us for details

Main Features

- Ultra low headroom
- Range from 1.0t to 12.0t
- Ideal for locations where headroom is limited
- Operating temperature of -40°C to +80°C (temperature range of -60°C to +80°C available as an option)
- Can be chained to any height of lift to meet your exact requirements
- Chain carrier available
- Corrosion or spark resistant versions available
- These units meet and exceed all the requirements within BS EN 13157: 2004+A1:2009 and AS1418.2.



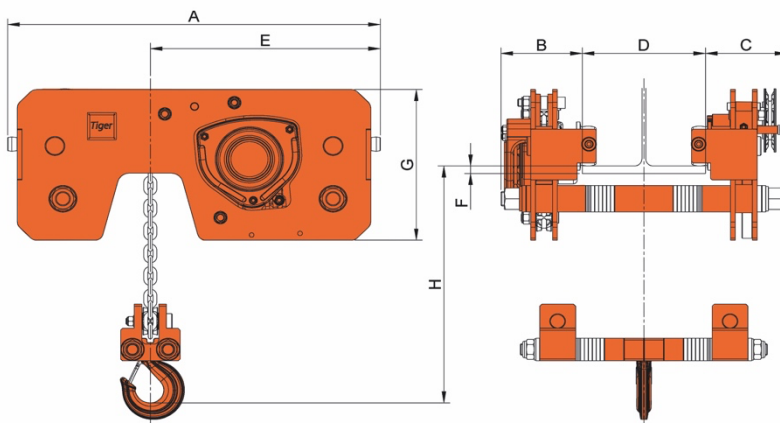
Certification:

Each unit comes fully certified with a test certificate or an EC Declaration of Conformity stating compliance with the essential health and safety requirements of the Machinery Directive 2006/42/EC.

Technical Data

| Product Code | Capacity (tonne) | D-Track width | | Dimensions (mm) | | | | | | | Min. Curve Radius (m) | Net Weight (kg) @ std. HOL Range 1/ Range 2 | Load Chain | |
|--------------|------------------|---------------|--------------|-----------------|-----|-----|-----|----|-----|-----|-----------------------|---|---------------|--------------|
| | | Range 1 (mm) | Range 2 (mm) | A | B | C | E | F | G | H | | | Diameter (mm) | No. of falls |
| ULHCG-0100 | 1.0 | 62-180 | 180-310 | 585 | 165 | 163 | 365 | 26 | 240 | 141 | 3.5 | 69/74 | 6.3 | 2 |
| ULHCG-0200 | 2.0 | 74-180 | 180-310 | 680 | 168 | 168 | 420 | 31 | 270 | 167 | 5.0 | 106/114 | 6.3 | 2 |
| ULHCG-0300 | 3.0 | 80-180 | 180-310 | 798 | 182 | 177 | 484 | 36 | 300 | 191 | 7.0 | 146/159 | 7.1 | 2 |
| ULHCG-0600 | 6.0 | 96-194 | 194-260 | 938 | 213 | 213 | 579 | 41 | 400 | 241 | 11.0 | 259/275 | 10 | 2 |
| ULHCG-0800 | 8.0 | 145-310 | - | 1028 | 211 | 230 | 644 | 48 | 360 | 265 | 12.0 | 388 | 8 | 4 |
| ULHCG-1200 | 12.0 | 145-310 | - | 1128 | 238 | 238 | 690 | 45 | 420 | 295 | 18.0 | 522 | 10 | 4 |

The beam width D is customised to customer requirements. Please contact us for more information. F is the maximum beam flange thickness.



Bespoke designs available on request – an example of a recent 30t ultra low headroom design with load shackle is shown above.

Contact info@tigerlifting.com for more information.

Due to our policy of continual product development, dimensions, weights and specifications may change without prior notice. Please check with your Tiger sales team when ordering.