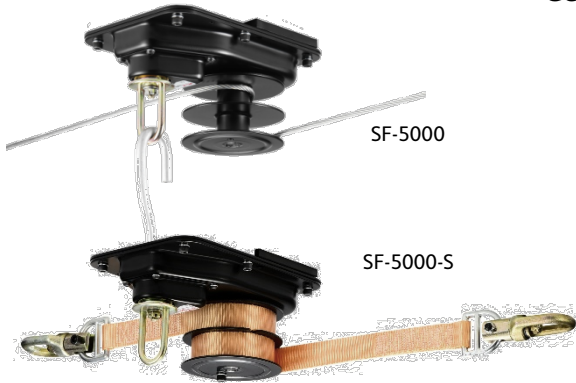


## Tiger Ceiling Mounted Winches

### Ceiling Mounted Winch SF-5000 (wire)/SF-5000-S (strap)



- 5000lb/2270kg capacity
- Split reel, which allows for operation of two cables
- Loop drive allows the winch to be mounted out of reach and operated with an extension pole fitted to engage the loop
- Various loop sizes available
- Positive load-actuated brake can hold the load in any position
- Gears and brake are fully covered to prevent dust, dirt and rain contamination
- Very low operator effort is required for easy operation

### Electric Ceiling Mounted Winch SF-5000E (wire)/SF-5000E-S (strap)



- 5000lb/2270kg capacity
- Compact and light weight
- Split reel, which allows for operation of two cables
- Completely sealed to prevent dust, dirt and rain contamination
- Brake motor for quick and safe stopping
- Very low operator effort is required for easy operation
- Powerful and smooth
- Can be operated manually during power failure (option)
- Power Supply: 110V 1-Phase (Standard) / 220V 1-Phase (Optional/Upon request)



### Heavy Duty Ceiling Mounted Worm Gear Winch WL-4600

- 4600lb/2090kg capacity
- Self-braking
- Available in regular or split reel, which allows for operation of two line or cables for greater versatility
- Completely sealed to prevent dust, dirt and rain contamination



### General Purpose Hand Winch HW-2000 (can be ceiling mounted)

- 2000lb/900kg capacity
- Available in regular or split reel, which allows for operation of two line or cables for greater versatility
- Available in handle or loop drive models
- Can be ceiling mounted with loop drive

### Temperature Range:

Electric model - SF-5000E - operating temperature -10°C to +50°C (temperature range of -40°C to +80°C available as an option). Other models - operating temperature -40°C to +80°C (temperature range of -60°C to +80°C available as an option)

### Certification:

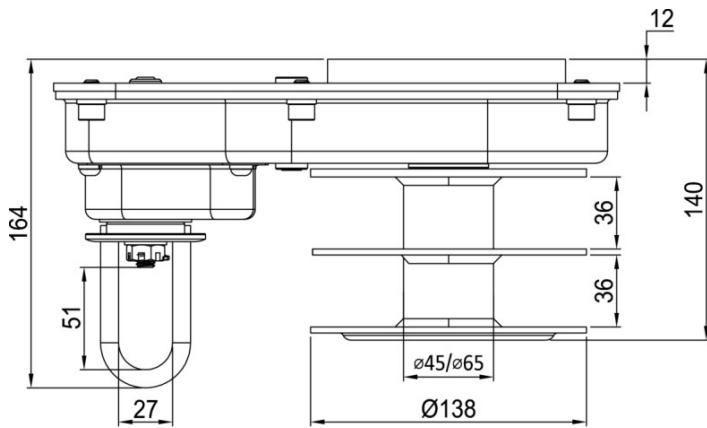
Each unit comes fully certified with a test certificate or an EC Declaration of Conformity stating compliance with the essential health and safety requirements of the Machinery Directive 2006/42/EC.

### Technical Data

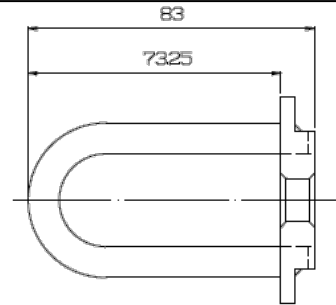
Product Code	Split Reel	Strap/Wire	Pulling Capacity (lbs/kg)	Lifting capacity (first layer)	Lifting capacity (last layer)	Hand Force Required (kg)	Gear Ratio	Hub Diameter (mm)	Handle Length (mm)	Unit Weight (with handle) (kg)	Unit Weight (with loop) (kg)	Cable Diameter (mm/inch)	Cable Storage Cap. (m)
HW-2000		Wire	1000/450	N/A	N/A	2.25	41:1	ø48	190	5.5	5.2	ø4.8/ø3/16	17.6
HW-2000-S	Yes	Wire	2000/900	N/A	N/A	4.5	41:1	ø48	190	5.7	5.4	ø4.8/ø3/16	8.8 per side

Product Code	Rated Capacity (lbs/kg)	Hand Force (kg)	Gear Ratio	Hub Diameter (mm)	Handle Length (mm)	Unit Weight (with handle) (kg)	Unit Weight (with loop) (kg)	Cable Diameter (mm/inch)	Cable Storage Cap. (m)
SF-5000	5000/2270	4	90.24:1	ø65	-	-	9.3	ø6.4/ø1/4	11*2
SF-5000-S	5000/2270	4	90.24:1	ø45	-	-	9.3	-	4.5*2
SF-5000E	5000/2270	-	90.24:1	ø65	-	-	23.14	ø6.4/ø1/4	11*2
SF-5000E-S	5000/2270	-	90.24:1	ø45	-	-	23.14	-	4.5*2
WL-4600	4600/2090	6	65:1	ø65	-	-	12.5	ø6.4/ø1/4	11*2

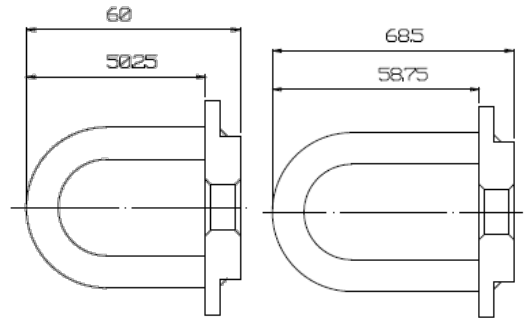
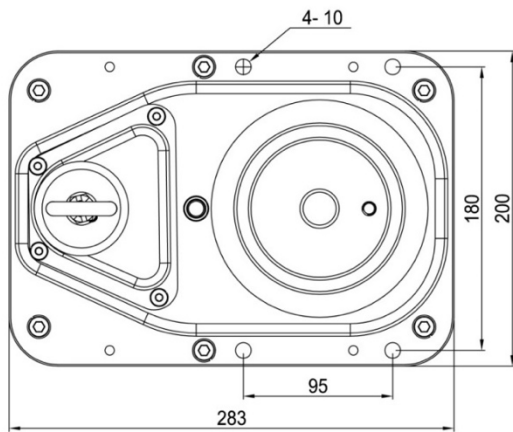
For winches with split reels, each side has half the capacity.



Drum diameter:  
SF-5000 (for wire) =  $\varnothing 65$ mm  
SF-5000-S (for strap) =  $\varnothing 45$ mm

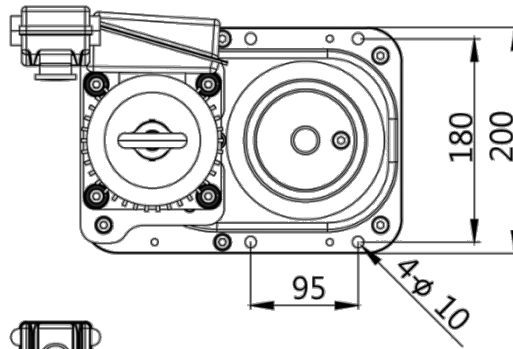


standard loop dimensions



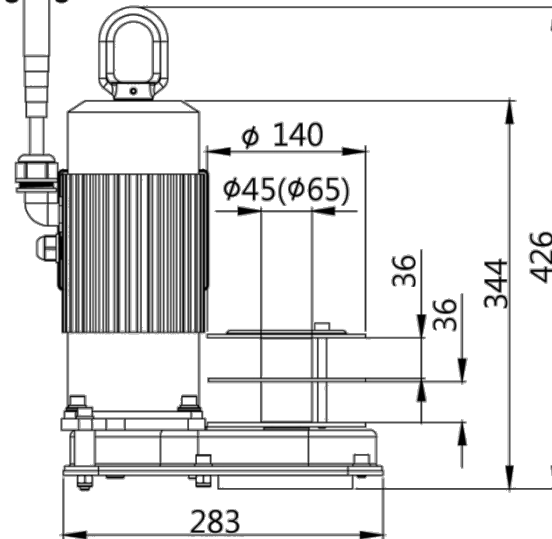
Alternative loop dimensions

SF-5000 (wire)/SF-5000-S (strap)

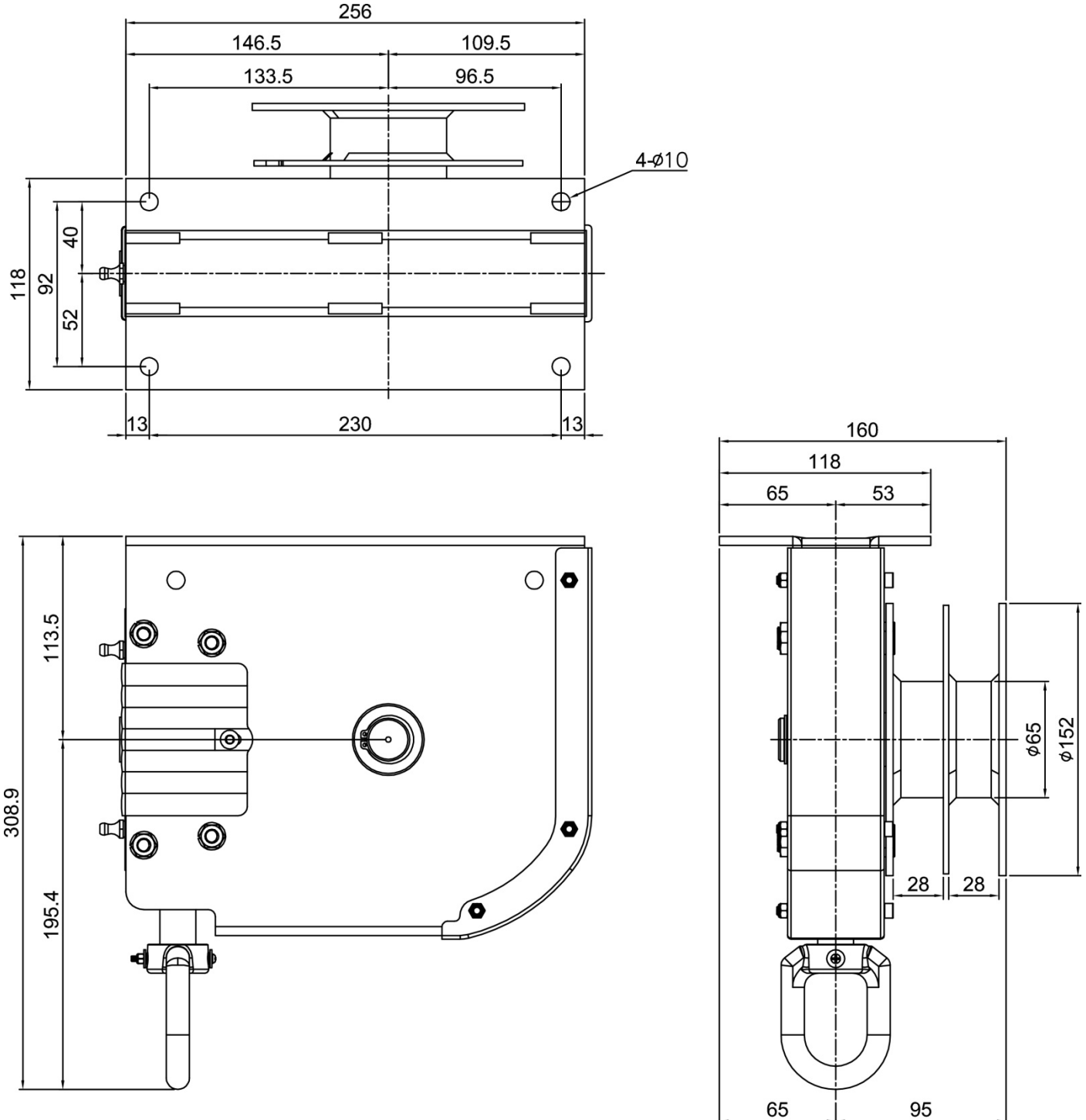


Drum diameter:  
 SF-5000E (for wire) = Ø65mm  
 SF-5000E-S (for strap) = Ø45mm

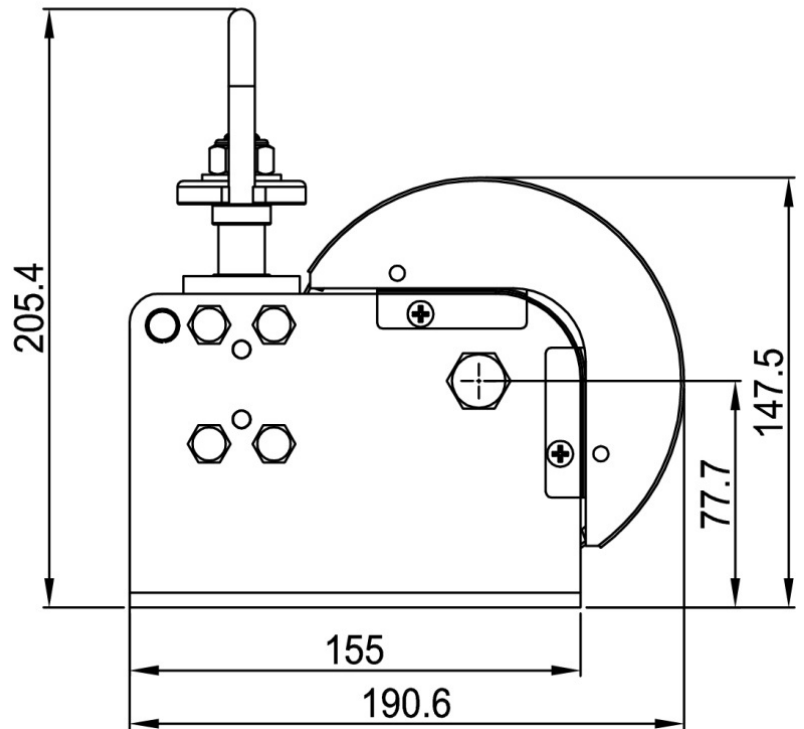
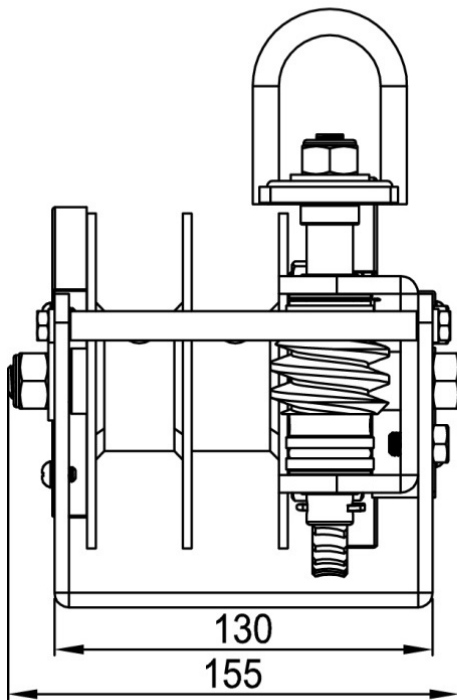
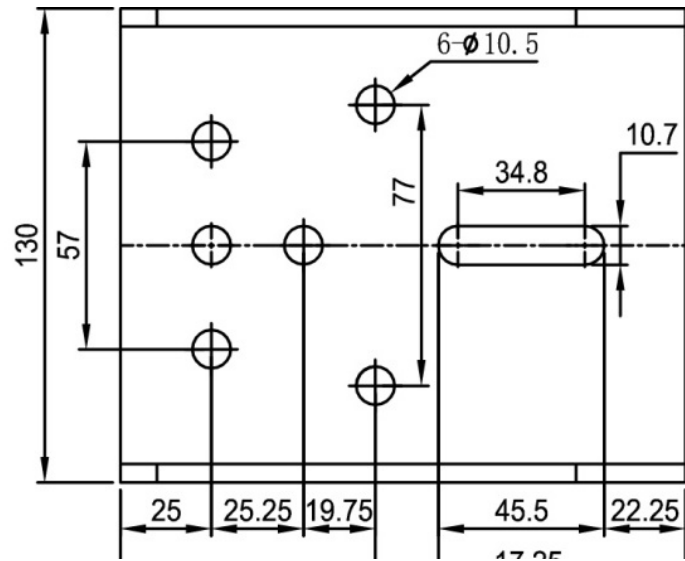
Other loop sizes available (see previous page).



SF-5000E (wire)/SF-5000E-S (strap)



WL-4600



HW-2000 (with loop)

Due to our policy of continual product development, dimensions, weights and specifications may change without prior notice. Please check with your Tiger sales team when ordering.

Bespoke designs available on request – contact [info@tigerlifting.com](mailto:info@tigerlifting.com) for more information.