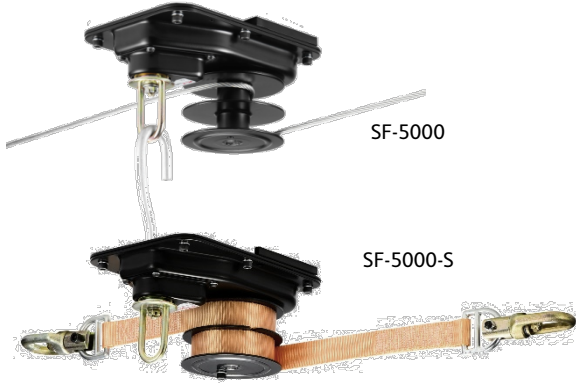


Tiger Ceiling Mounted Winches

Ceiling Mounted Winch SF-5000 (wire)/SF-5000-S (strap)



- 5000lb/2270kg capacity
- Split reel, which allows for operation of two cables
- Loop drive allows the winch to be mounted out of reach and operated with an extension pole fitted to engage the loop
- Various loop sizes available
- Positive load-actuated brake can hold the load in any position
- Gears and brake are fully covered to prevent dust, dirt and rain contamination
- Very low operator effort is required for easy operation

Electric Ceiling Mounted Winch SF-5000E (wire)/SF-5000E-S (strap)



- 5000lb/2270kg capacity
- Compact and light weight
- Split reel, which allows for operation of two cables
- Completely sealed to prevent dust, dirt and rain contamination
- Brake motor for quick and safe stopping
- Very low operator effort is required for easy operation
- Powerful and smooth
- Can be operated manually during power failure (option)

Heavy Duty Ceiling Mounted Worm Gear Winch WL-4600



- 4600lb/2090kg capacity
- Self-braking
- Available in regular or split reel, which allows for operation of two line or cables for greater versatility
- Completely sealed to prevent dust, dirt and rain contamination

General Purpose Hand Winch HW-2000 (can be ceiling mounted)



- 2000lb/900kg capacity
- Available in regular or split reel, which allows for operation of two line or cables for greater versatility
- Available in handle or loop drive models
- Can be ceiling mounted with loop drive

Home of the Tiger pneumatic hoisting, manual hoisting, clamping and winching ranges

Temperature Range:

Electric model - SF-5000E - operating temperature -10°C to +50°C (temperature range of -40°C to +80°C available as an option). Other models - operating temperature -40°C to +80°C (temperature range of -60°C to +80°C available as an option)

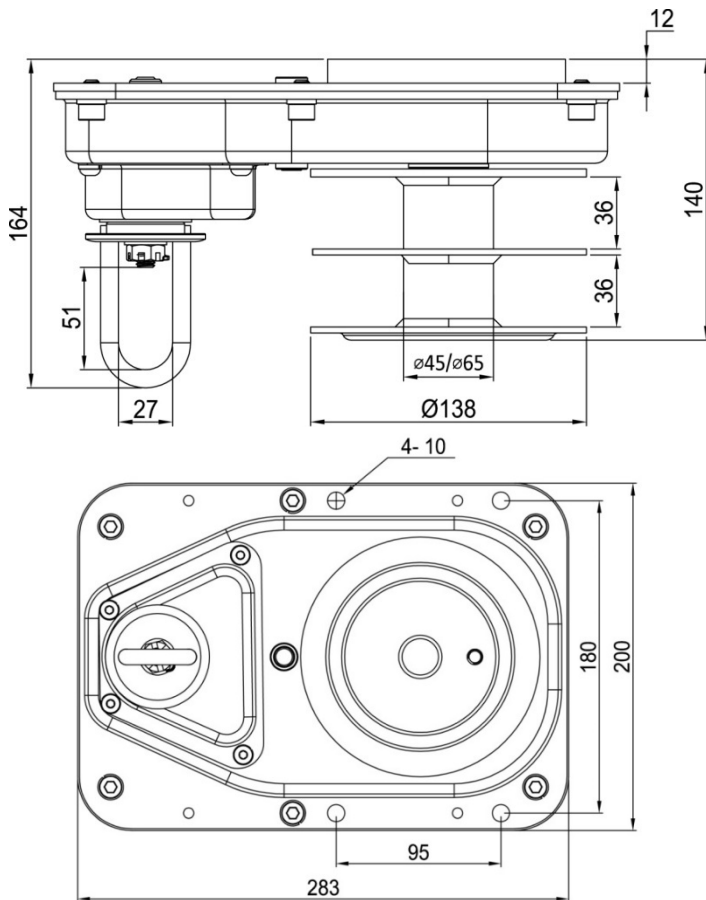
Certification:

Each unit comes fully certified with a test certificate or an EC Declaration of Conformity stating compliance with the essential health and safety requirements of the Machinery Directive 2006/42/EC.

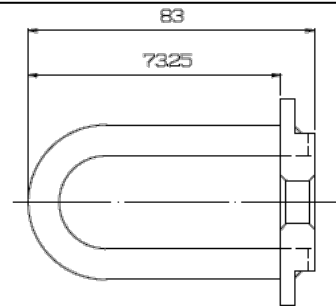
Technical Data

| Product Code | Split Reel | Strap/Wire | Pulling Capacity (lbs/kg) | Lifting capacity (first layer) | Lifting capacity (last layer) | Hand Force Required (kg) | Gear Ratio | Hub Diameter (mm) | Handle Length (mm) | Unit Weight (with handle) (kg) | Unit Weight (with loop) (kg) | Cable Diameter (mm/inch) | Cable Storage Cap. (m) |
|--------------|------------|------------|---------------------------|--------------------------------|-------------------------------|--------------------------|------------|-------------------|--------------------|--------------------------------|------------------------------|--------------------------|------------------------|
| SF-5000 | Yes | Wire | 5000/2270 | 5000/2270 | 2670/1210 | 4 | 90.24:1 | ø65 | -- | -- | 9.3 | ø6.4/ø1/4 | 11*2 |
| SF-5000-S | Yes | Strap | 5000/2270 | 5000/2270 | 2670/1210 | 4 | 90.24:1 | ø45 | -- | -- | 9.3 | -- | 4.5*2 |
| SF-5000E | Yes | Wire | 5000/2270 | 5000/2270 | 2670/1210 | -- | 90.24:1 | ø65 | -- | -- | 23.14 | ø6.4/ø1/4 | 11*2 |
| SF-5000E-S | Yes | Strap | 5000/2270 | 5000/2270 | 2670/1210 | -- | 90.24:1 | ø45 | -- | -- | 23.14 | -- | 4.5*2 |
| WL-4600 | Yes | Wire | 4600/2090 | 4600/2090 | 2285/1035 | 6.0 | 65:1 | ø65 | -- | -- | 12.5 | ø6.4/ø1/4 | 11*2 |
| HW-2000 | | Wire | 1000/450 | N/A | N/A | 2.25 | 41:1 | ø48 | 190 | 5.5 | 5.2 | ø4.8/ø3/16 | 17.6 |
| HW-2000-S | Yes | Wire | 2000/900 | N/A | N/A | 4.5 | 41:1 | ø48 | 190 | 5.7 | 5.4 | ø4.8/ø3/16 | 8.8 per side |

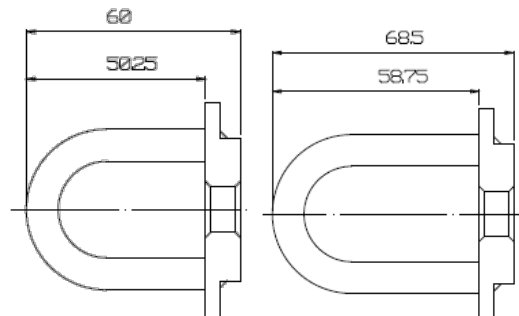
For winches with split reels, each side has half the capacity.



Drum diameter:
SF-5000 (for wire) = ø65mm
SF-5000-S (for strap) = ø45mm

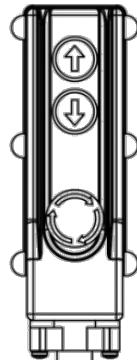
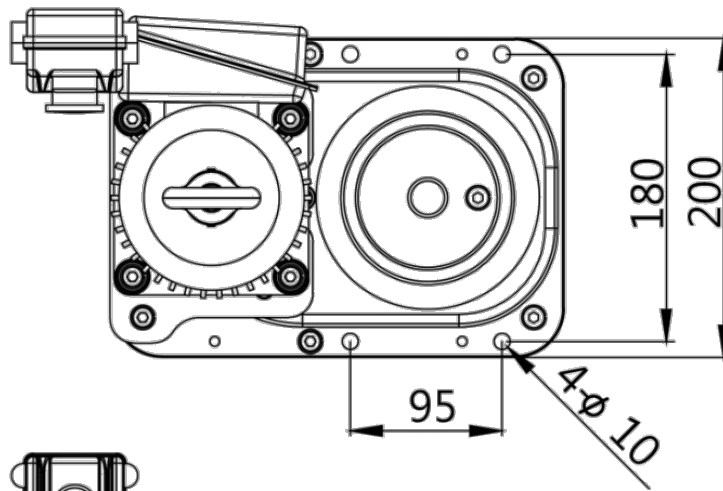


standard loop dimensions



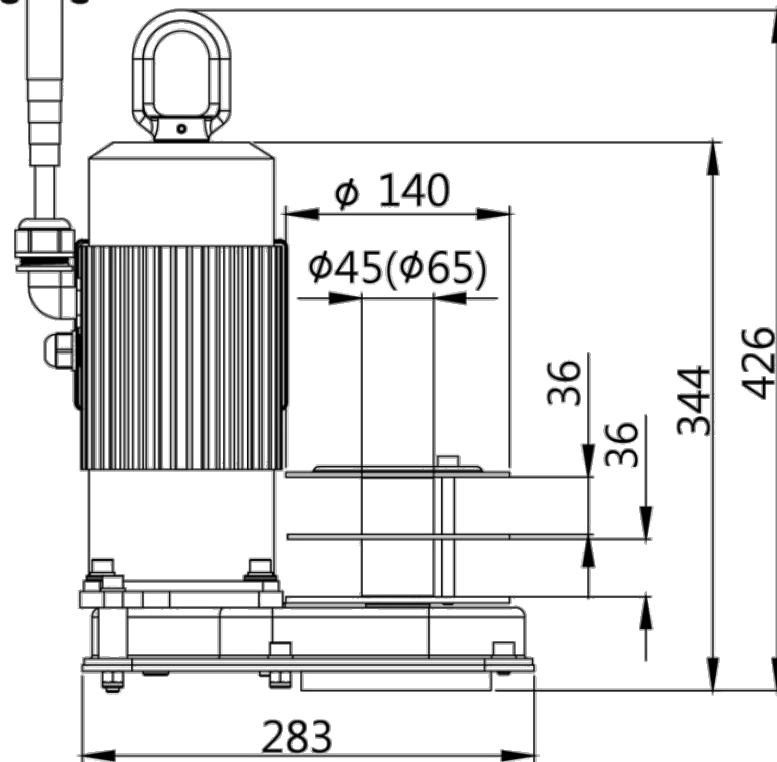
Alternative loop dimensions

SF-5000 (wire)/SF-5000-S (strap)

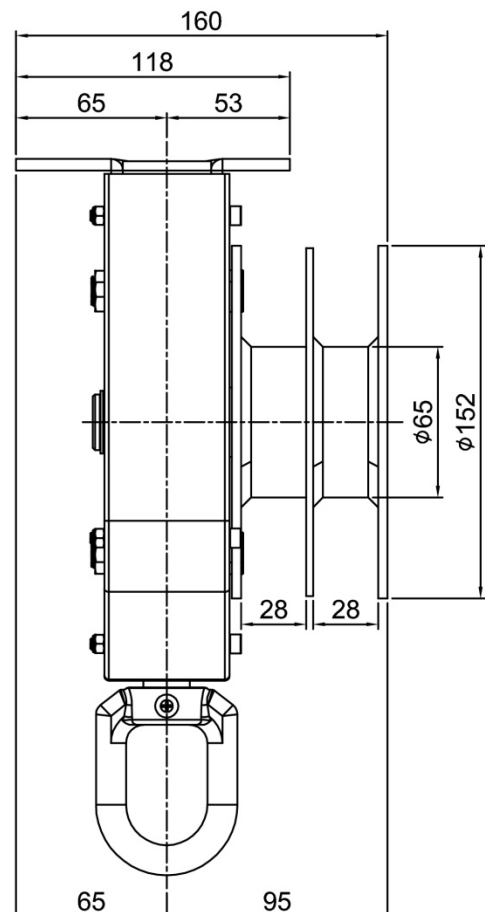
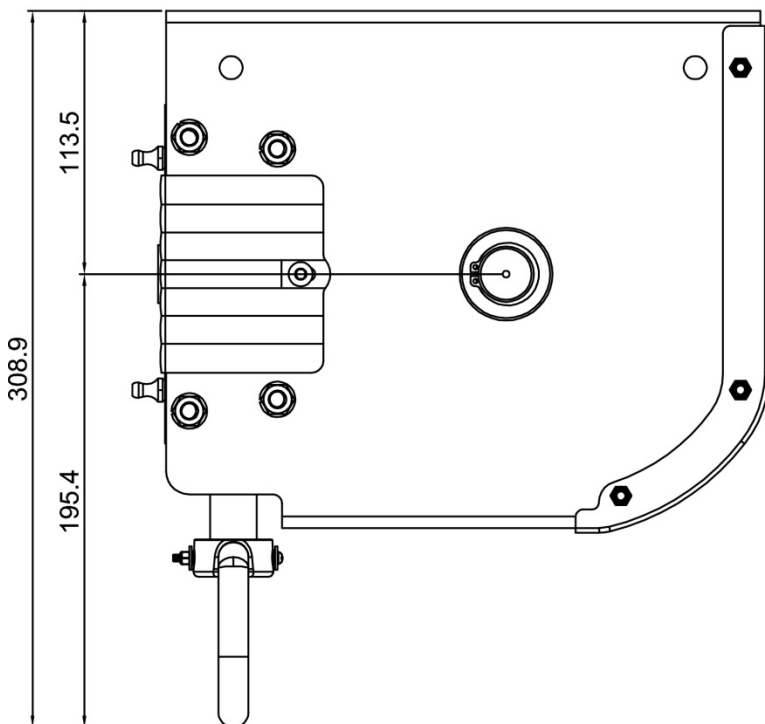
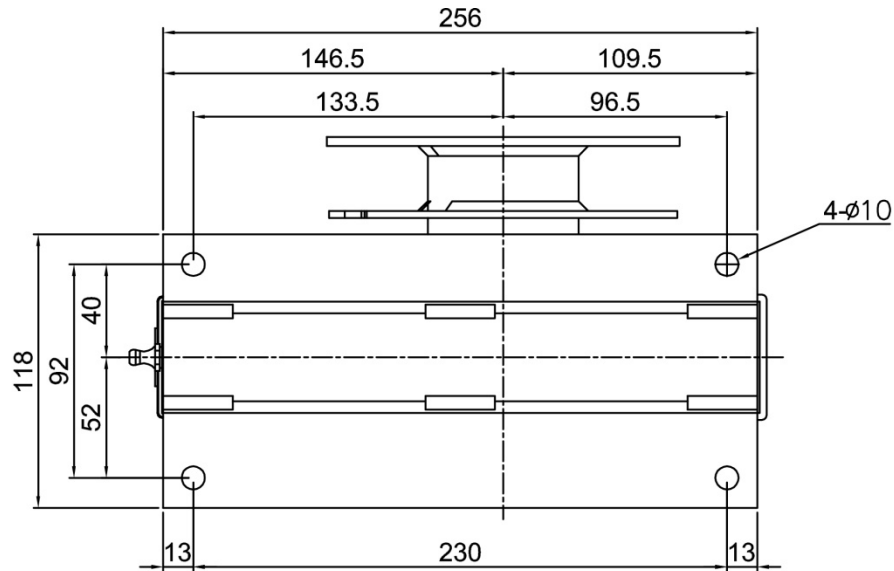


Drum diameter:
 SF-5000E (for wire) = $\varnothing 65\text{mm}$
 SF-5000E-S (for strap) = $\varnothing 45\text{mm}$

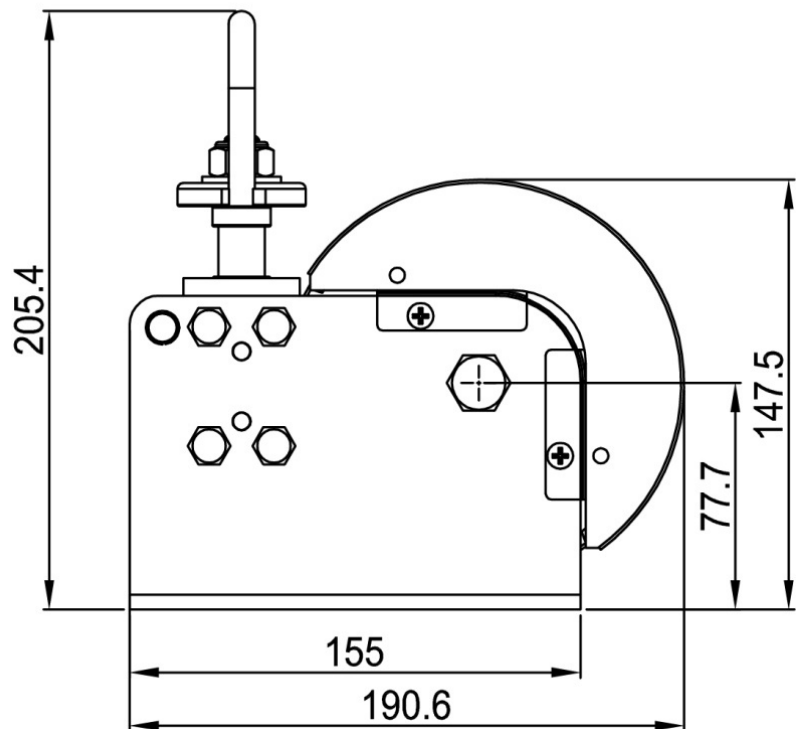
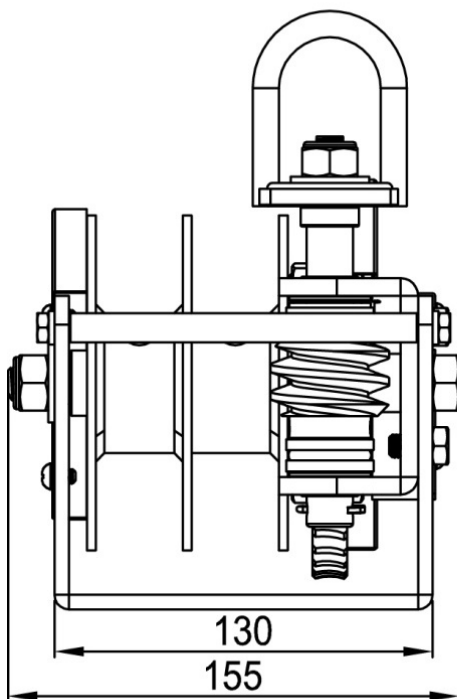
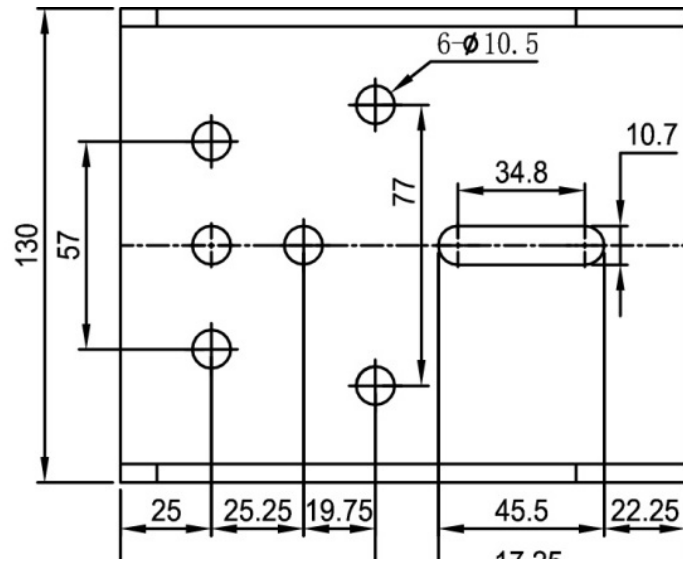
Other loop sizes available (see previous page).



SF-5000E (wire)/SF-5000E-S (strap)



WL-4600



HW-2000 (with loop)

Due to our policy of continual product development, dimensions, weights and specifications may change without prior notice. Please check with your Tiger sales team when ordering.

Bespoke designs available on request – contact info@tigerlifting.com for more information.